

**PARTS  
CATALOGUE  
CATALOGO  
DE REPUESTOS**

**225DET'03(64F2)**

---

2B64F-200S1

**YAMAHA**  
**GENUINE**  
Parts & Accessories

A1

# FOREWORD

This Parts Catalogue is related to the parts for the model(s) in the below frame. When you are ordering replacement parts, please refer to this Parts Catalogue and quote both part numbers and part names correctly.

225DET'03(64F2)

1. Modifications or additions which have been made after issue of the Parts Catalogue will be announced in the Yamaha Parts News.  
It is advisable that you make necessary corrections to the Parts Catalogue according to the Yamaha Parts News.

2. Abbreviations

The Following abbreviations are used in this Parts Catalogue.

“UR” Use specified parts number.

“UN” Use as many as needed.

“AP” Alternate Parts

“LM” Local Made  
(Parts need to be ordered locally)

“O/S” Over Size

“SWS” Salt Water Series

3. Parts, which are to be supplied in an assembly, are listed with a dot(.) in front of the part name as shown below.

EXAMPLE

CARBURETOR ASSY

.JET, PILOT

.NOZZLE, MAIN

4. Number of component for assembly

The numeral appearing to the right of each component part indicates the quantity of parts for each assembly unit.

EXAMPLE

PART NO.	DESCRIPTION	ω	⊕	⊖	REMARKS
6E0-85500-70	C.D.I. MAGNETO ASSY	1			
6E0-85550-70	.ROTOR ASSY	1			
6E0-15723-00-94.	PULLY, STARTER	1			

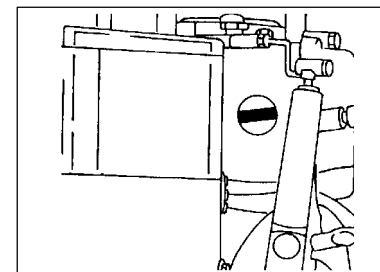
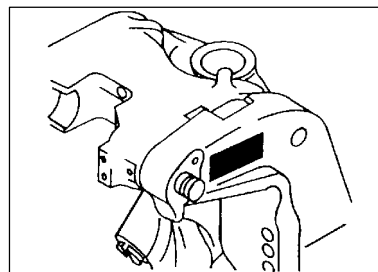
5. Quantity Column Information

NAME for Q'TY COLUMN	APPLICABLE MODEL
225D	225DET

6. Applicable Starting Serial No. and Color Code

1) Engine Starting Serial No.

225DET L/X 6K7 : 1000001



2) Color Code

Color Code	Color Name	Abbreviation
004D	DARK BLUISH GRAY METALLIC 2	DBNM2

7. Note that the illustrations for reference in finding parts numbers, not to be used for assembling. When assembling, please use the applicable service manual.
8. The asterisk (\*) before a reference number indicates modification items after the first edition.

# CONTENTS

## SHEET 1/2

TOP COWLING .....	A4
CYLINDER. CRANKCASE 1 .....	A5
CRANKSHAFT. PISTON .....	A7
CYLINDER. CRANKCASE 2 .....	B2
INTAKE .....	B3
CARBURETOR .....	B5
FUEL 1 .....	B7
FUEL 2 .....	C2
GENERATOR .....	C3
ELECTRICAL 1 .....	C4
ELECTRICAL 2 .....	C6
STARTING MOTOR .....	D1
BOTTOM COWLING .....	D3
CONTROL .....	D5
BRACKET 1 .....	E1
BRACKET 2 .....	E3
POWER TRIM & TILT ASSY 1 .....	E5
POWER TRIM & TILT ASSY 2 .....	E7
UPPER CASING .....	F2
LOWER CASING. DRIVE 1 .....	F4

## INDEX

NUMERICAL INDEX .....	G1
-----------------------	----

## SHEET 2/2

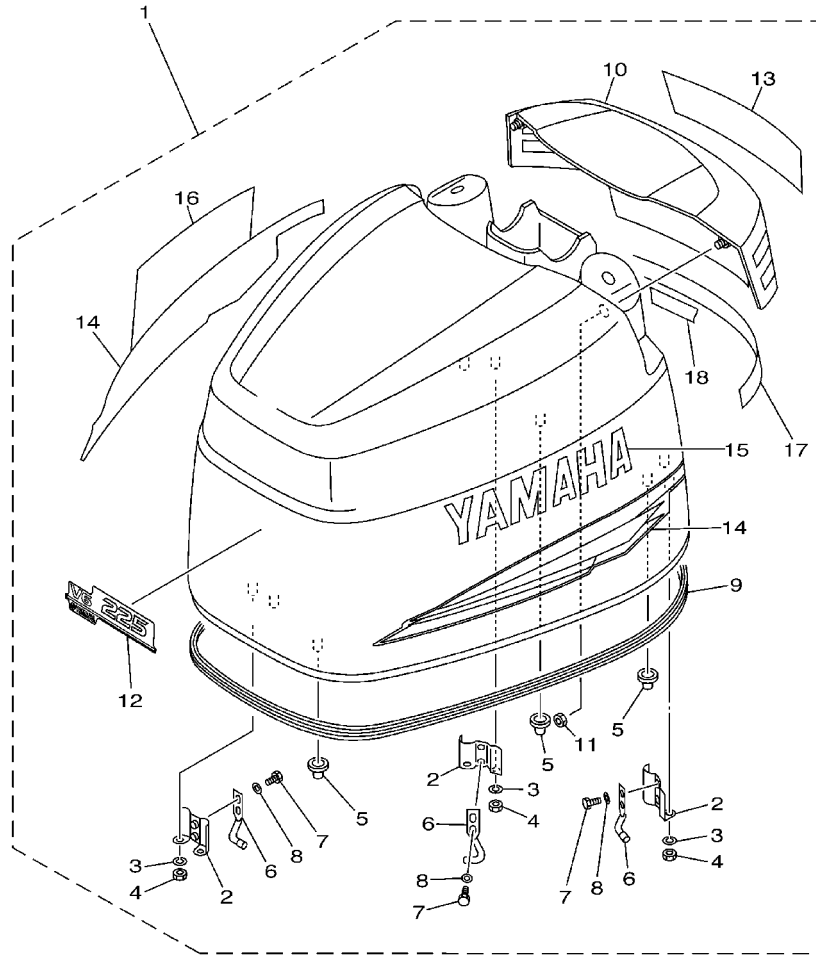
LOWER CASING. DRIVE 2 .....	A4*
STEERING GUIDE .....	A6*
REMOTE CONTROL BOX .....	A7*
REMOTE CONTROL ASSY .....	B1*
METER .....	B4*
REPAIR KIT 1 .....	B5*
REPAIR KIT 2 .....	B7*

## INDEX

NUMERICAL INDEX .....	G1*
-----------------------	-----

FIG. 1 TOP COWLING

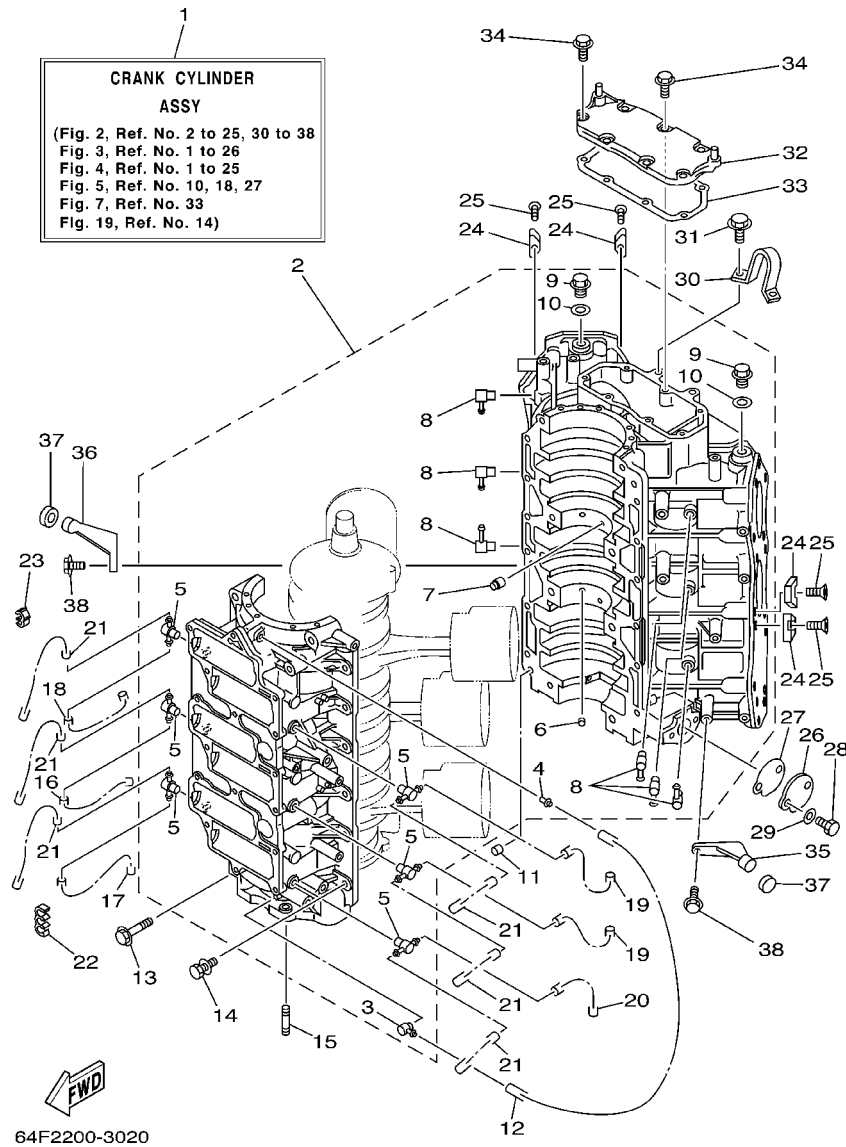
SOPORTE SUPERIOR



64F1664-2010

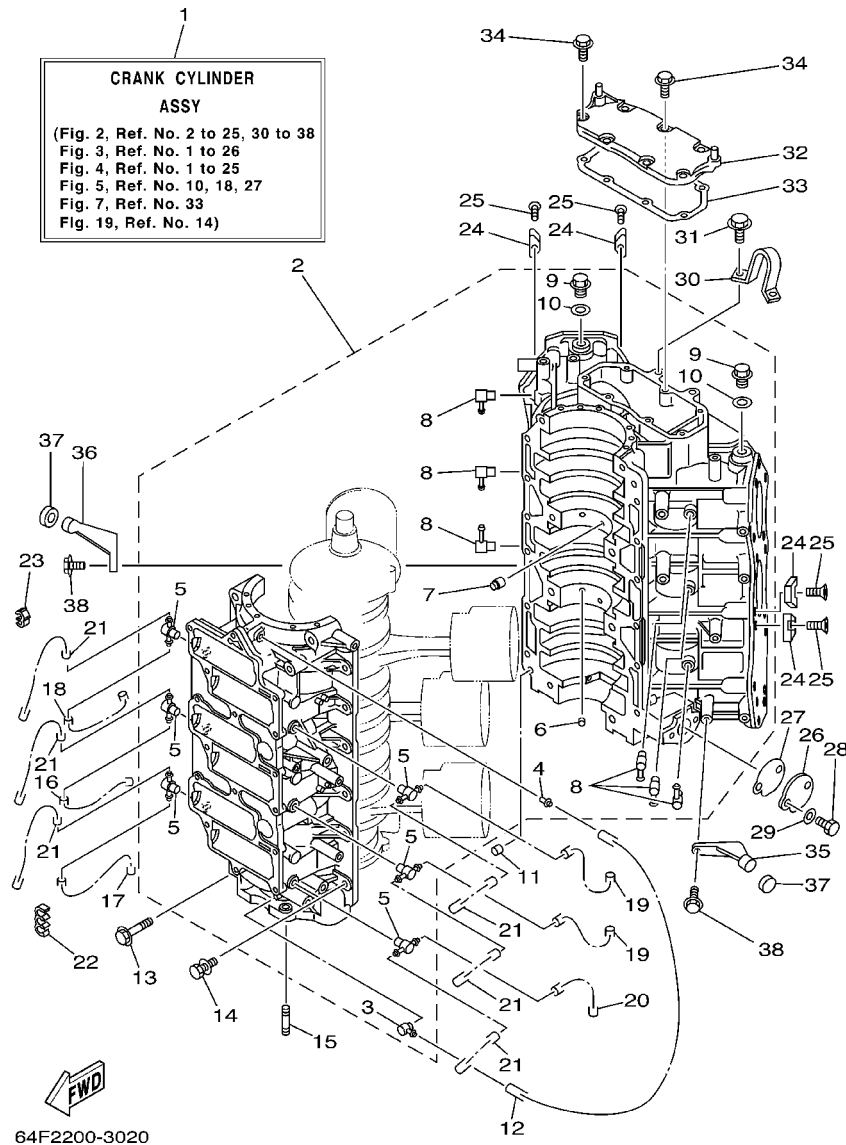
REF. NO.	PART NO. CODIGO NO.	DESCRIPTION DESCRIPTION	225D				REMARKS OBSERVACION
1	64F-42610-50-4D	TOP COWLING ASSY SOPORTE SUPERIOR COMPL.	1				
2	6R3-42647-00	.HOLDER, CLAMP BAND .MORDAZA DE ABRAZADERA	3				
3	92990-06100	.WASHER, SPRING .ARANDELA GROWER	6				
4	95380-06600	.NUT, HEXAGON .TUERCA	6				
5	64D-42662-00	.DAMPER .AMORTIGUADOR	3				
6	64D-42814-00	.HOOK, CLAMP .GANCHO GRAMPA	3				
7	97095-06012	.BOLT .PERNO	6				
8	92995-06600	.WASHER .ARANDELA	6				
9	64D-42615-00	.SEAL .SELLO	1				
10	64D-42613-00-4D	.MOLDING, AIR DUCT .MOLDURA CONDUCTO AIRE	1				
11	90179-06M24	.NUT .TUERCA	4				
12	64F-42677-50	.GRAPHIC, FRONT .CALCAMONIA FRONTAL	1				
13	64F-42687-30	EMBLEM, REAR .EMBLEMA TRASERO	1				
14	64D-W0070-30	.GRAPHIC SET .JUEGO DE EMBLEMA	1				
15	64C-42681-30	.MARK, COWLING .MARCA DE CUBIERTA	1				
16	64C-42682-30	.MARK, COWLING .MARCA DE CUBIERTA	1				
17	64D-4267A-30	.GRAPHIC, REAR 2 .CALCAMONIA TRASERA 2	1				
18	64D-42678-30	.GRAPHIC, REAR .CALCAMONIA TRASERA	1				

FIG. 2 CYLINDER. CRANKCASE 1 CILINDRO. CARTER 1

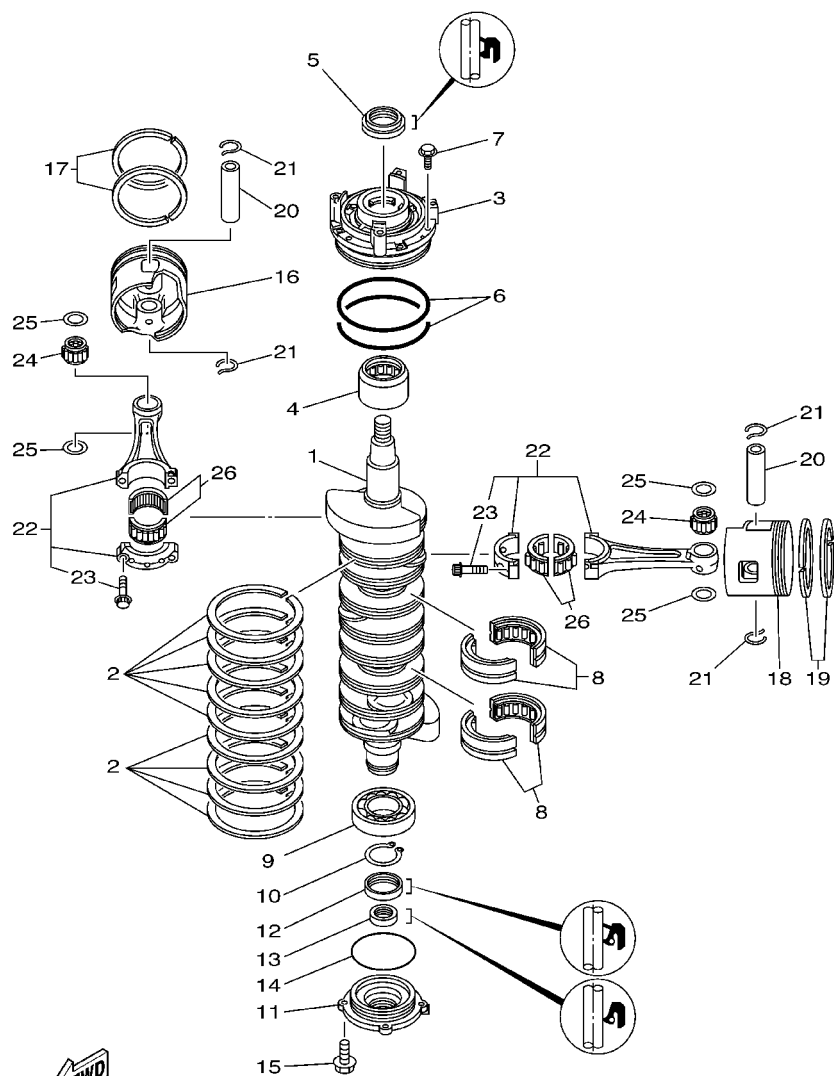


REF. NO.	PART NO. CODIGO NO.	DESCRIPTION DESCRIPTION	225D				REMARKS OBSERVACION
1	64F-W0090-03-1S	CRANK CYLINDER ASSY BLOQUE MOTOR COMPLETO	1				
2	64F-15100-00-1S	CRANKCASE ASSY CARTER COMPLETO	1				
3	6E5-11372-01	.NIPPLE, HOSE .NIPLE DE MANGUERA	1				
4	624-14485-00	.PIPE, JOINT .TUBO DE UNION	1				
5	6F6-11372-00	.NIPPLE, HOSE .NIPLE DE MANGUERA	6				
6	624-11379-00	.VALVE, CHECK .VALVULA DE CONTROL	2				
7	663-11518-01	.LOCK, BEARING .SEGURO BALERO	2				
8	646-11370-01	.CHECK VALVE ASSY .VALVULA DE CONTROL COMPL.	6				
9	90340-14M00	.PLUG, STRAIGHT SCREW .TORNILLO, DE DRENAJE	2				
10	90430-14115	.GASKET .JUNTA	2				
11	93608-12063	PIN, DOWEL PASADOR DE CLAVIJA	2				
12	90445-07M10	HOSE (L510) TUBO (L510)	1				
13	90105-10M20	BOLT, FLANGE TORNILLO	8				
14	90119-08M94	BOLT, WITH WASHER TORNILLO CON ARANDELA	12				
15	90116-08M45	BOLT, STUD ESPARRAGO	2				
16	90445-07M11	HOSE (L610) TUBO (L610)	1				
17	90445-07M09	HOSE (L380) TUBO (L380)	1				
18	90445-07M12	HOSE (L300) TUBO (L300)	1				
19	90445-07M08	HOSE (L220) TUBO (L220)	2				
20	90445-07M90	HOSE (L390) TUBO (L390)	1				
21	90445-07M34	HOSE (L260) TUBO (L260)	6				
22	90464-07M05	CLAMP BRIDA	1				
23	90464-07M20	CLAMP BRIDA	1				
24	6E5-11325-00	ANODE ANODO	8				
25	98780-04015	SCREW, FLAT HEAD TORNILLO CABEZA PLANA	8				
26	6R3-1131M-01	COVER CUBIERTA	1				
27	6R3-11397-01	GASKET EMPAQUE	1				

FIG. 2 CYLINDER. CRANKCASE 1 CYLINDRO. CARTER 1



REF. NO.	PART NO. CODIGO NO.	DESCRIPTION DESCRIPTION	225D				REMARKS OBSERVACION
28	97013-06016	BOLT PERNO	2				
29	92903-06600	WASHER, PLATE RONDANA SENCILLA	2				
30	67H-11119-01	HANGER, ENGINE SOPORTE DEL MOTOR	1				
31	90119-08MA3	BOLT, WITH WASHER TORNILLO CON ARANDELA	2				
32	6K7-11371-01-1S	COVER CUBIERTA 1	1				
33	6E5-11381-A2	GASKET 1 EMPAQUE 1	1				
34	90119-06MA2	BOLT, WITH WASHER TORNILLO CON ARANDELA	7				
35	6E5-42761-00-1S	STOPPER RETEN 1	1				
36	6E5-42762-00-1S	STOPPER RETEN 2	1				
37	68F-44533-00	DAMPER, UPPER MOUNT RUBBER AMORTIGUADOR SUPERIOR	2				
38	90119-06MA2	BOLT, WITH WASHER TORNILLO CON ARANDELA	4				



64F2200-3030

FIG. 3 CRANKSHAFT. PISTON

CIGUENAL. PISTON

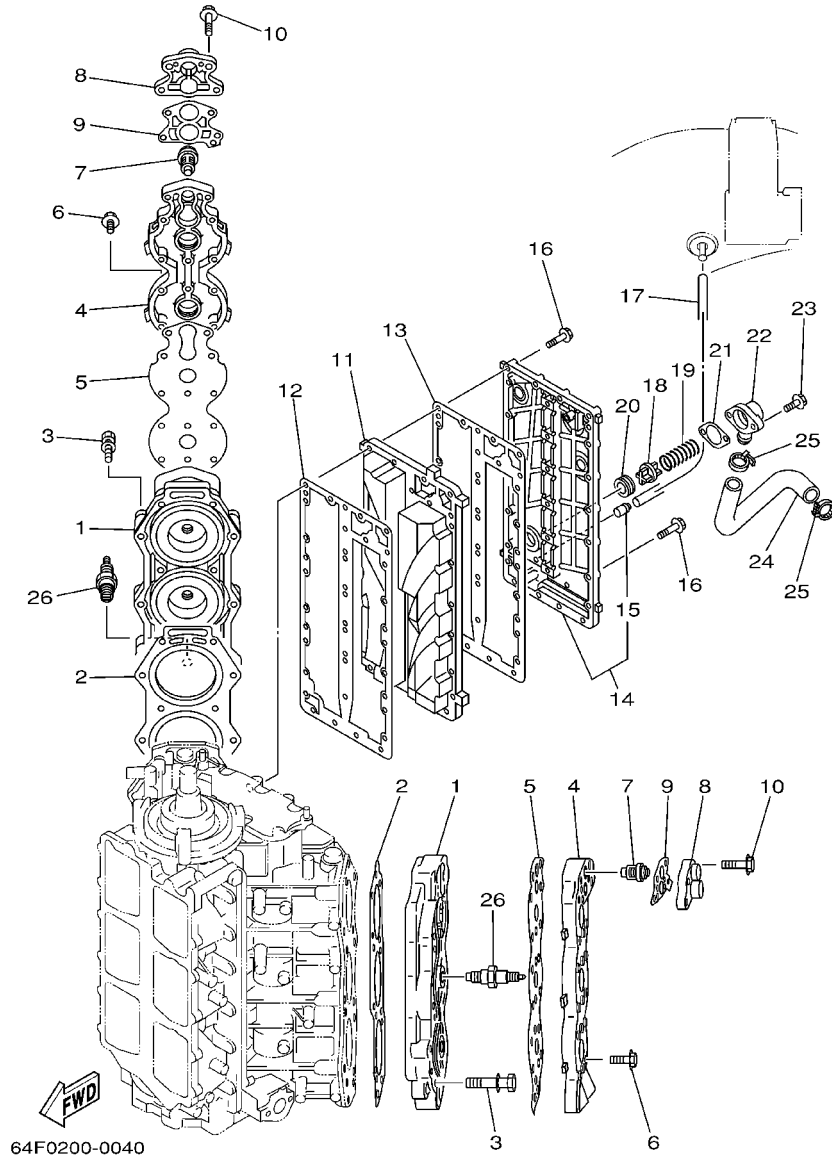
REF. NO.	PART NO. CODIGO NO.	DESCRIPTION DESCRIPTION	225D			REMARKS OBSERVACION
1	6G5-11411-02	CRANKSHAFT CIGUENAL	1			
2	6E5-11447-00	SEAL, CRANK SELLO MANIVELA	9			
3	6R3-15163-00-1S	HOUSING, BEARING 1 CAJA DE COJINETE 1	1			
4	93311-940U3	BEARING COJINETE DE RODILLOS	1			
5	93102-40M14	OIL SEAL RETEN DE ACEITE	1			
6	93211-04001	O-RING ANILLO EN O	2			
7	90119-06MA2	BOLT, WITH WASHER TORNILLO CON ARANDELA	3			
8	93310-954U1	BEARING COJINETE DE RODILLOS	2			
9	93306-208U0	BEARING COJINETE	1			
10	93410-40M03	CIRCLIP SEGURO	1			
11	6G5-15359-00-94	HOUSING, OIL SEAL CAJA DE SELLO DE ACEITE	1			
12	93102-35M13	OIL SEAL RETEN DE ACEITE	1			
13	93101-22M15	OIL SEAL RETEN DE ACEITE	1			
14	93210-74M35	O-RING JUNTA TORICA	1			
15	90119-06MA2	BOLT, WITH WASHER TORNILLO CON ARANDELA	4			
16	64D-11631-02-90	PISTON (STD) PISTON (NORMA)	3			
	64D-11635-02	PISTON (0.25MM O/S) PISTON (0.25MM O/S)	3			AP
	64D-11636-02	PISTON (0.50MM O/S) PISTON (0.50MM O/S)	3			AP
17	64D-11603-01	PISTON RING SET (STD) JUEGO DE ANILLOS (NORMA)	3			
	64D-11604-01	PISTON RING SET (0.25MM O/S) JUEGO DE ANILLOS (0.25MM O/S)	3			AP
	64D-11605-01	PISTON RING SET (0.50MM O/S) JUEGO DE ANILLOS (0.50MM O/S)	3			AP
18	64D-11642-02-90	PISTON 2 (STD) PISTON 2 (NORMA)	3			
	64D-11645-02	PISTON 2 (0.25MM O/S) PISTON 2 (0.25MM O/S)	3			AP
	64D-11646-02	PISTON 2 (0.50MM O/S) PISTON 2 (0.50MM O/S)	3			AP
19	64D-11603-01	PISTON RING SET (STD) JUEGO DE ANILLOS (NORMA)	3			
	64D-11604-01	PISTON RING SET (0.25MM O/S) JUEGO DE ANILLOS (0.25MM O/S)	3			AP
	64D-11605-01	PISTON RING SET (0.50MM O/S) JUEGO DE ANILLOS (0.50MM O/S)	3			AP

A7





FIG. 4 CYLINDER. CRANKCASE 2 CYLINDRO. CARTER 2



REF. NO.	PART NO. CODIGO NO.	DESCRIPTION DESCRIPTION	225D				REMARKS OBSERVACION
1	64E-11111-00-1S	HEAD, CYLINDER 1 CULATA CILINDRO 1	2				
2	6G5-11181-A2	GASKET, CYLINDER HEAD 1 JUNTA, DE CULATA 1	2				
3	90119-08MA8	BOLT, WITH WASHER TORNILLO CON ARANDELA	28				
4	6G5-11191-00-1S	COVER, CYLINDER HEAD 1 TAPA CULATA DE CILINDRO 1	2				
5	6G5-11193-A0	GASKET, HEAD COVER 1 EMPAQUE	2				
6	90119-06MA4	BOLT, WITH WASHER TORNILLO CON ARANDELA	36				
7	6E5-12411-30	THERMOSTAT TERMOSTAT	2				
8	688-12413-00-1S	COVER, THERMOSTAT CUBIERTA TERMOSTATO	2				
9	688-12414-A1	GASKET, COVER EMPAQUE	2				
10	90119-06MA6	BOLT, WITH WASHER TORNILLO CON ARANDELA	8				
11	64D-41111-00-1S	INNER COVER, EXHAUST CUBIERTA INTERIOR DE ESCAPE	1				
12	6G5-41112-A1	GASKET, EXHAUST INNER COVER EMPAQUE	1				
13	6G5-41114-A0	GASKET, EXHAUST OUTER COVER EMPAQUE	1				
14	6R3-41113-00-1S	OUTER COVER, EXHAUST CUBOERTA EXTERIOR DE ESCAPE	1				
15	650-24378-00	PIPE, JOINT 4 TUBO DE UNION 4	1				
16	90119-06MA5	BOLT, WITH WASHER TORNILLO CON ARANDELA	29				
17	90445-09097	HOSE TUBO	1				
18	6G5-12416-00	VALVE, PRESSURE CONTROL VALVULA DE CONTROL DE PRESION	1				
19	90501-16M11	SPRING, COMPRESSION RESORTE DE COMPRESION	1				
20	90480-20M05	GROMMET TAPON	1				
21	6G5-11382-A1	GASKET 2 EMPAQUE 2	1				
22	6G5-11372-00-1S	COVER, BYPASS 2 CUBIERTA	1				
23	90119-06MA2	BOLT, WITH WASHER TORNILLO CON ARANDELA	2				
24	6G5-12576-00	HOSE 1 MANGUERA 1	1				
25	90465-13M18	CLAMP BRIDA	2				
26	94702-00247	PLUG, SPARK (NGK BR8HS-10) BUJIA (NGK BR8HS-10)	6				

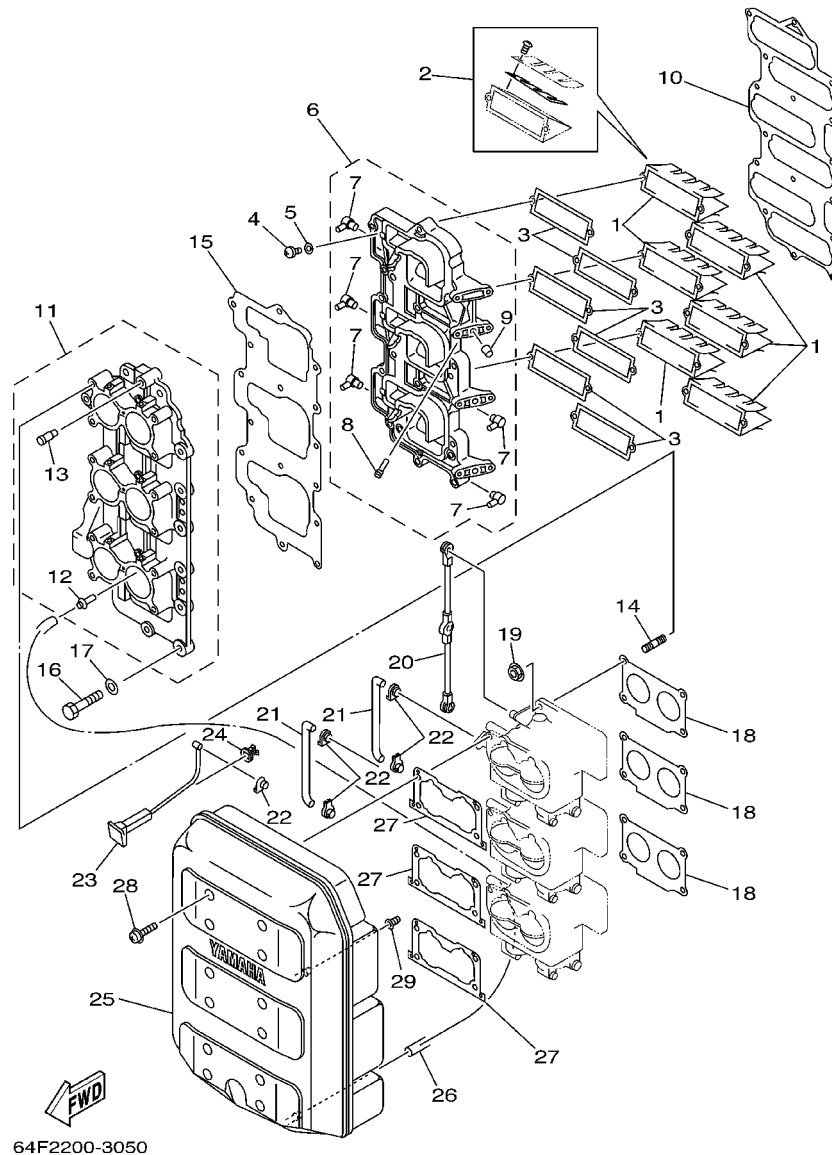


FIG. 5 INTAKE

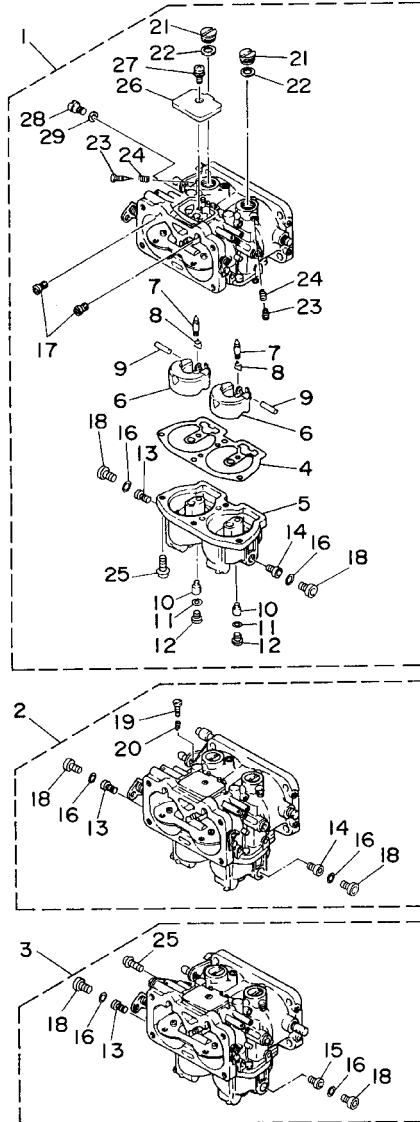
ADMISION

REF. NO.	PART NO. CODIGO NO.	DESCRIPTION DESCRIPTION	225D				REMARKS OBSERVACION
1	6K7-13610-00	REED VALVE ASSY VALVULA DE LAMINAS COMPLETA	6				
2	6E5-W0004-00	.REED SET .JUEGO DE VALVULAS DE LENGUETA	1				
3	6K7-13621-A1	GASKET, VALVE SEAT JUNTA, DE VALV.DE EMPAQUE	6				
4	97880-05016	SCREW, PAN HEAD TORNILLO DE CABEZA CON PLANA	12				
5	92990-05600	WASHER, PLATE ARANDELA PLANA	12				
6	64E-13624-00-1S	PLATE, REED VALVE PLACA DE VALVULA DE LAMINAS	1				
7	688-11372-01	.NIPPLE, HOSE .NIPLE DE MANGUERA	5				
8	6R5-14485-00	.PIPE, JOINT .TUBO DE UNION	1				
9	90336-08M06	.PLUG, TAPER .TAPON AHUSADO	1				
10	6K7-13646-A2	GASKET, MANIFOLD 2 EMPAQ. DE MULTIPLE 2	1				
11	64E-13641-10-1S	MANIFOLD 1 MULTIPLE 1	1				
12	624-14485-00	.PIPE, JOINT .TUBO DE UNION	1				
13	6K7-81338-01	.CLAMP, LEAD .GRAMPA DE CONDUCTOR	1				
14	90116-06M30	BOLT, STUD ESPARRAGO	12				
15	64E-13645-A0	GASKET, MANIFOLD 1 EMPAQUE	1				
16	97013-06050	BOLT PERNO	16				
17	92903-06600	WASHER, PLATE RONDANA SENCILLA	16				
18	6E5-14198-A2	GASKET EMPAQUE	3				
19	90179-06M28	NUT TUERCA	12				
20	6G5-41217-01	ROD, ACCEL. LEVER VARILLA PALANCA ACELERADOR	1				
21	6E5-41256-01	ROD, CHOKE 1 VARILLA DE AHOGADOR	2				
22	661-41262-02	JOINT, CHOKE LEVER CONECTOR DE AHOGADOR	5				
23	61H-41271-10	KNOB, CHOKE PERILLA AHOGADOR	1				
24	689-41273-00	GROMMET TAPON PROTECTOR	1				
25	64D-14440-00	SILENCER ASSY, INTAKE SILENCIADOR COMPL. DE ADMISION	1				
26	90445-07MA3	HOSE (L200) TUBO (L200)	1				
27	6K7-14483-00	GASKET EMPAQUE	3				



FIG. 6 CARBURETOR

CARBURADOR



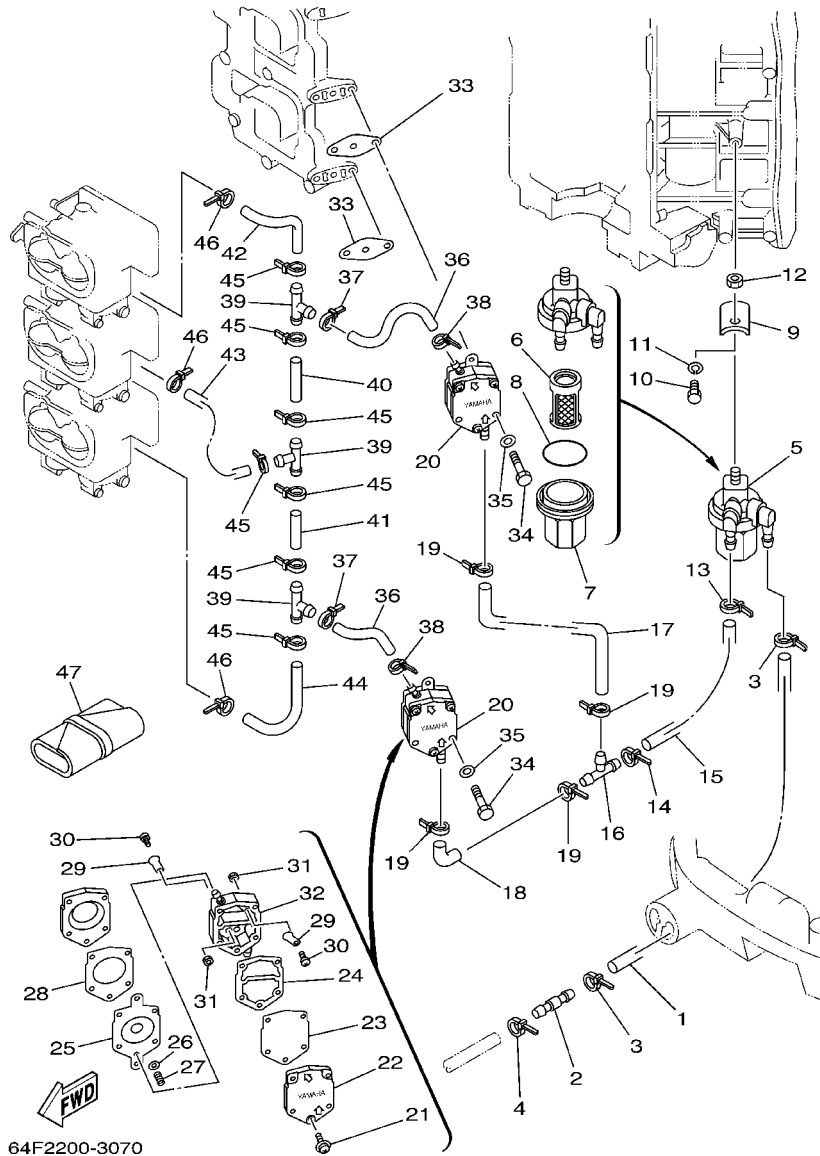
FWD  
64F0010-6060

REF. NO.	PART NO. CODIGO NO.	DESCRIPTION DESCRIPTION	225D				REMARKS OBSERVACION
1	64F-14301-01	CARBURETOR ASSY 1 CARBURADOR COMPLETO 1	1				
2	64F-14302-01	CARBURETOR ASSY 2 CARBURADOR COMPLETO 2	1				
3	64F-14303-01	CARBURETOR ASSY 3 CARBURADOR COMPLETO 3	1				
4	64D-14384-01	.GASKET, FLOAT CHAMBER .EMPAQUE DE CAMARA DE BOIA	3				
5	64D-14381-00	.BODY, FLOAT CHAMBER .CUERPO DE CAMARA DE BOIA	3				
6	6E5-14385-02	.FLOAT .BOIA	6				
7	6E5-14546-00	.VALVE, NEEDLE .VALVULA DE AGUJA	6				
8	6E5-14159-00	.CLIP .PRESILLA	6				
9	6E5-14386-02	.PIN, FLOAT .PASADOR DE BOIA	6				
10	64D-1492F-40	.JET, AIR SLOW (#80) .ESPREA (#80)	6				
11	61U-14959-00	.GASKET .EMPAQUE	6				
12	64D-14394-00	.VALVE, DRAIN .VALVULA DE DRENAJE	6				
13	64D-1492E-75	.JET, MAIN (#150) .INYEKTOR PRINCIPAL (#150)	3				
14	64D-1492E-77	.JET, MAIN (#154) .INYEKTOR PRINCIPAL (#154)	2				
15	64D-1492E-79	.JET, MAIN (#158) .INYEKTOR PRINCIPAL (#158)	1				
16	6E5-14398-01	.GASKET .EMPAQUE	6				
17	61A-1492H-12	.JET, SLOW AIR BLEED (#60) .ESPREA AIRE (#60)	6				
18	61A-14383-01	.SCREW, DRAIN .TORNILLO DE DRENAJE	6				
19	6E5-14321-00	.SCREW, THROTTLE .TORNILLO DE OBTURADOR	1				#2
20	6J8-14334-00	.SPRING, THROTTLE .RESORTE DE AJUSTADOR DE AIRE	1				#2
21	6E5-14328-01	.PLUG .TORNILLO TOPE DE PILOTO	6				
22	6E5-14979-00	.GASKET .EMPAQUE DE ARRANQUE	6				
23	6E5-14323-03	.SCREW, AIR ADJUSTING .TORNILLO DE AJUSTE DE AIRE	6				
24	6E5-14223-00	.SPRING, AIR ADJUSTING .RESORTE, AJUSTE DE AIRE	6				
25	97980-05116	.SCREW, WITH WASHER .TORNILLO, CON ARANDELA	13				
26	6E5-14527-01	.PLATE .PLACA	3				
27	97980-05108	.SCREW, WITH WASHER .TORNILLO, CON ARANDELA	3				



FIG. 7 FUEL 1

COMBUSTIBLE 1



64F2200-3070

REF. NO.	PART NO. CODIGO NO.	DESCRIPTION DESCRIPTION	225D				REMARKS OBSERVACION
1	6R3-24313-01	PIPE 3 TUBO 3	1				
2	6R3-24377-00	PIPE, JOINT 3 TUBO DE UNION 3	1				
3	90465-11M10	CLAMP BRIDA	2				
4	90465-11M10	CLAMP BRIDA	1				
5	6R3-24560-00	FILTER ASSY FILTRO COMPLETO	1				
6	61N-24563-00	.ELEMENT, FILTER .ELEMENTO DEL FILTRO	1				
7	61N-24521-00	.CUP, FILTER .COPA DE FILTRO	1				
8	93210-32738	.O-RING .JUNTA TORICA	1				
9	648-24566-02	BRACKET, FILTER SOPORTE DEL FILTRO	1				
10	97013-06014	BOLT PERNO	1				
11	92903-06100	WASHER, SPRING RONDANA SENCILLA	1				
12	95380-08600	NUT TUERCA	1				
13	90465-11M10	CLAMP BRIDA	1				
14	90465-11M10	CLAMP BRIDA	1				
15	6G5-24314-00	PIPE 4 TUBO 4	1				
16	6E5-24378-00	PIPE, JOINT 3 TUBO DE UNION 3	1				
17	6K7-24315-00	PIPE 5 TUBO DE DESAGUE	1				
18	6E5-24315-00	PIPE 5 TUBO DE DESAGUE	1				
19	90465-11M10	CLAMP BRIDA	4				
20	6E5-24410-03	FUEL PUMP ASSY BOMBA DE COMBUSTIBLE COMPLETA	2				
21	6E5-24444-00	.SCREW .TORNILLO	3				
22	6E5-24413-00	.BODY 2 .CUERPO 2	1				
23	6E5-24471-00	.DIAPHRAGM .DIAFRAGMA	1				
24	6E5-24435-00	.GASKET, BODY 2 .EMPAQUE	1				
25	6E5-24411-00	.DIAPHRAGM .DIAFRAGMA	1				
26	648-24424-00	.SEAT, SPRING .PLACA DE RESORTE	1				
27	6E5-24423-00	.SPRING, DIAPHRAGM .RESORTE DE DIAFRAGMA	1				

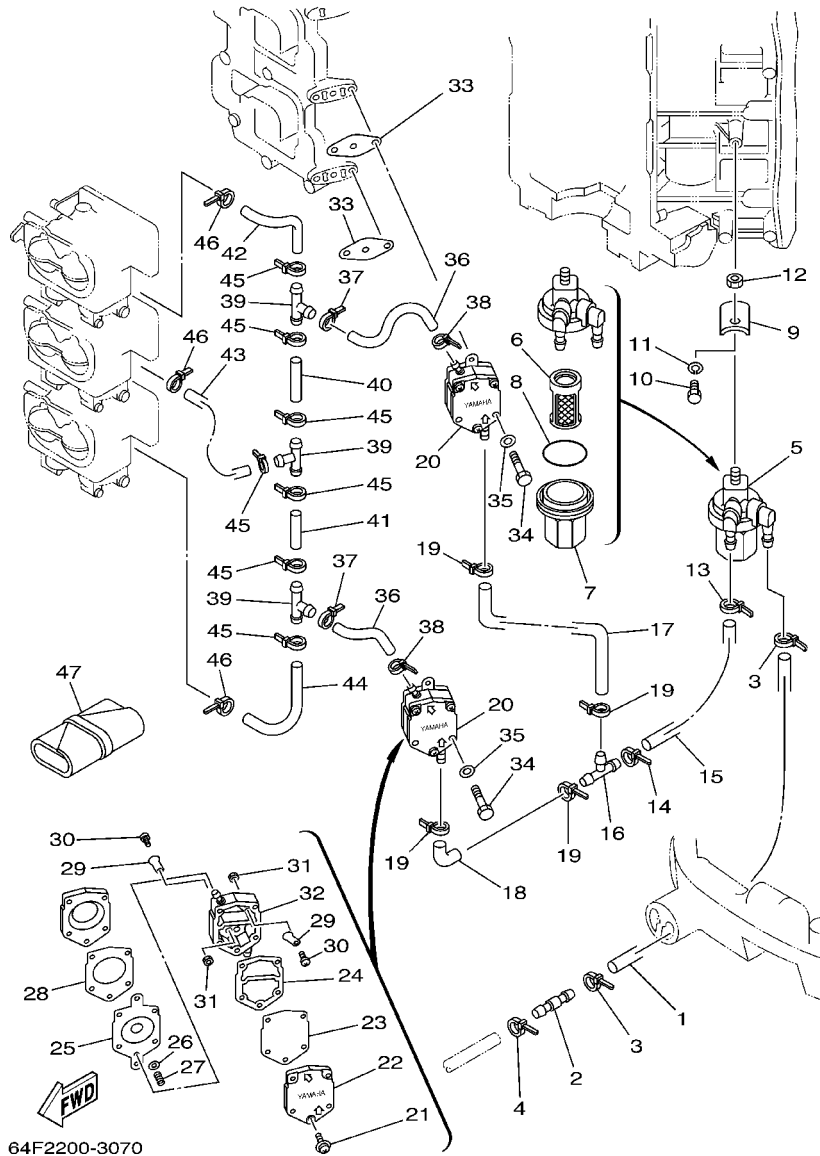


FIG. 7 FUEL 1

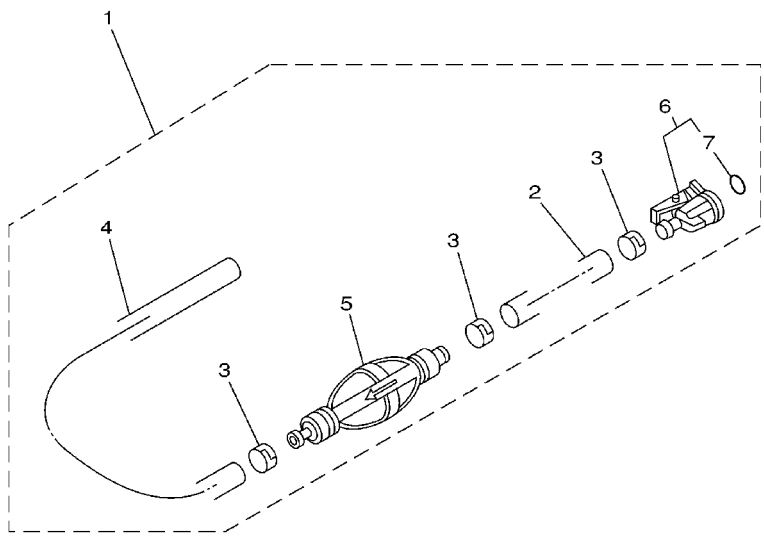
COMBUSTIBLE 1

REF. NO.	PART NO. CODIGO NO.	DESCRIPTION DESCRIPTION	225D				REMARKS OBSERVACION
28	6E5-24434-02	.GASKET, BODY .EMPAQUE	1				
29	6A0-24421-01	.VALVE, CHECK .VALVULA DE RETENCION	4				
30	6A0-14325-00	.SCREW, PAN HEAD .TORNILLO CABEZA REDONDA	4				
31	95380-03600	.NUT .TUERCA	4				
32	6E5-24412-10	.BODY 1 .CUERPO 1	1				
33	650-24431-A0	GASKET, FUEL PUMP 1 EMPAQUE BOMBA COMBUST 1	2				
34	97095-06050	BOLT PERNO	4				
35	92995-06600	WASHER ARANDELA	4				
36	6G5-24316-10	PIPE 6 TUBO 6	2				
37	90465-11M10	CLAMP BRIDA	2				
38	90465-11M10	CLAMP BRIDA	2				
39	6E5-24378-00	PIPE, JOINT 3 TUBO DE UNION 3	3				
40	90445-13M03	HOSE (L50) TUBO (L50)	1				
41	90445-13M02	HOSE (L40) TUBO (L40)	1				
42	6K7-24317-00	PIPE 7 TUBO 7	1				
43	6K7-24318-00	PIPE, OVERFLOW TUBO DE REBOSAMIENTO	1				
44	6K7-24319-00	PIPE, OIL TUBO DE ACEITE	1				
45	90465-11M10	CLAMP BRIDA	7				
46	90465-11M10	CLAMP BRIDA	3				
47	656-W2810-02	TOOL KIT JUEGO DE HERRAMIENTAS	1				

FIG. 8 FUEL 2

COMBUSTIBLE 2

REF. NO.	PART NO. CODIGO NO.	DESCRIPTION DESCRIPTION	225D				REMARKS OBSERVACION
1	6Y2-24306-42	FUEL PIPE COMP. 1 TUBO COMBUST. COMPL 1	1				AP
2	90445-13M01	.HOSE (L:2050) .MANGUERA (L:2050)	1				
3	6E5-24351-51	.BAND 1 .ABRAZADERA 1	3				
4	90445-13M35	.HOSE (L:250) .MANGUERA (L:250)	1				
5	6Y2-24360-52	.PRIMER PUMP ASSY .SOPORTE BOMBA	1				
6	6Y2-24305-04	.FUEL PIPE JOINT COMP. 2 .CONECTOR MANGUERA COMBUST. 2	1				
7	93210-08287	..O-RING ..JUNTA TORICA	1				

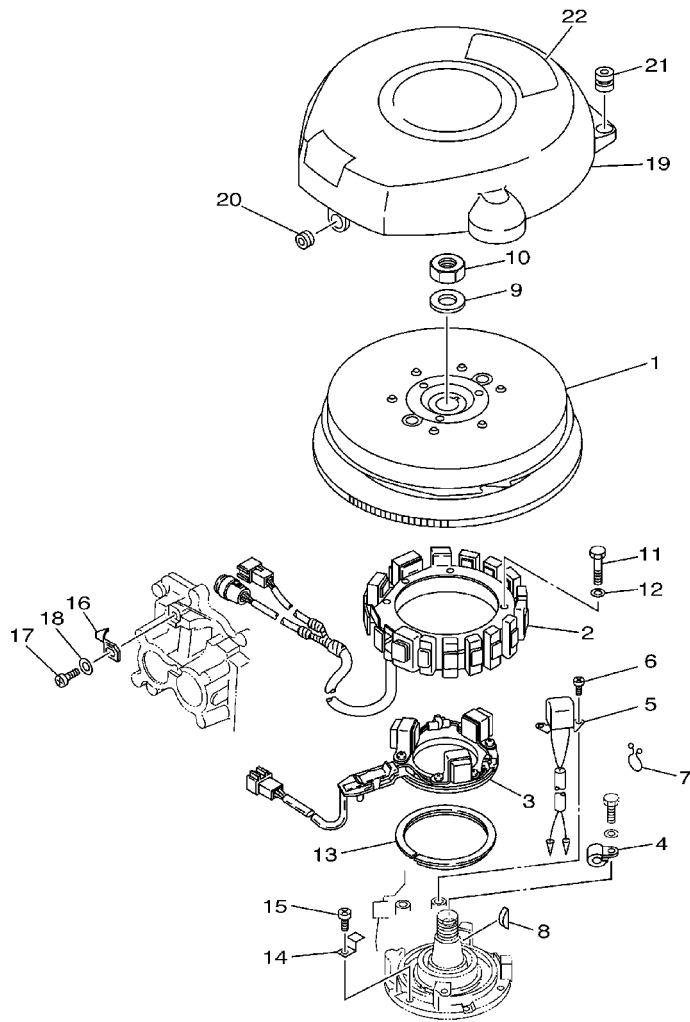


64L0100-1100



FIG. 9 GENERATOR

GENERADOR



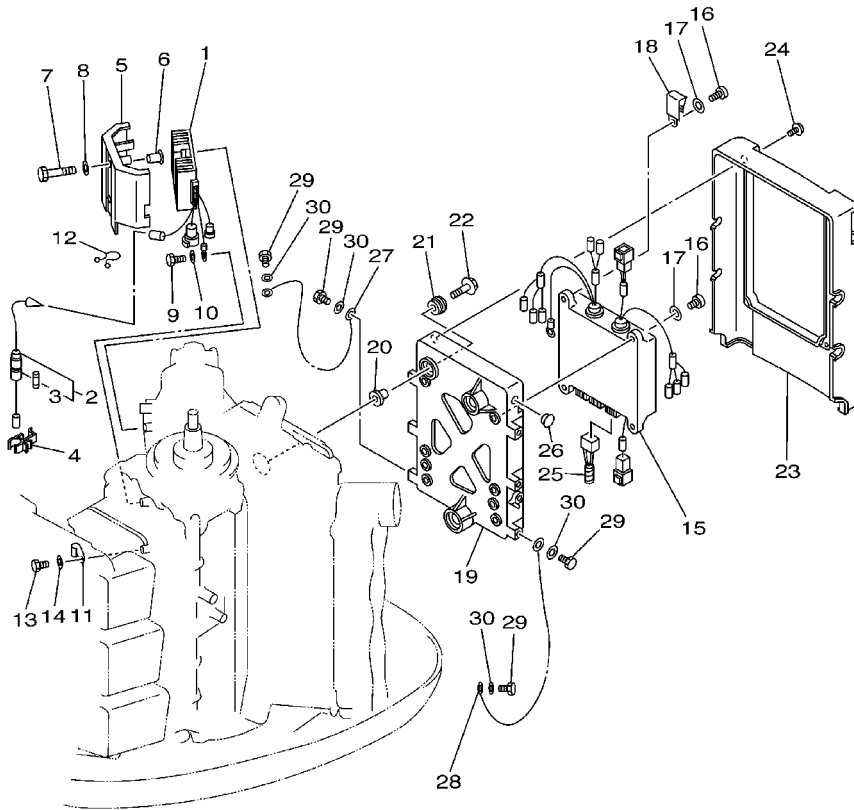
REF. NO.	PART NO. CODIGO NO.	DESCRIPTION DESCRIPTION	225D				REMARKS OBSERVACION
1	64D-85550-02	ROTOR ASSY ROTOR COMPLETO	1				
2	6R3-85510-00	STATOR ASSY ESTATOR COMPLET	1				
3	64D-85580-00	COIL, PULSER BOBINA DE PULSACION	1				
4	90465-06M86	CLAMP BRIDA	1				
5	6R5-85895-01	CRANK POSITION SENDER SENSOR, POSICION DE CIGUENAL	1				
6	97885-05012	SCREW, PAN HEAD TORNILLO A MUESCA	2				
7	90464-15M11	CLAMP BRIDA	1				
8	90280-05015	KEY, WOODRUFF CUNA WOODRUFF	1				
9	90201-21M18	WASHER, PLATE ARANDELA PLANA	1				
10	90170-20137	NUT TUERCA	1				
11	97013-06070	BOLT PERNO	4				
12	92903-06600	WASHER, PLATE RONDANA SENCILLA	4				
13	688-41611-00	RETAINER, MAGNETO BASE RETENEDOR BASE MAGNETO	1				
14	688-41612-00	RETAINER, MAGNETO BASE RETENEDOR BASE MAGNETO	4				
15	97880-06018	SCREW, PAN HEAD TORNILLO DE CABEZA CON PLANA	4				
16	6E5-81332-00	PLATE, TIMING PLACA REGULADOR DE TIEMPO	1				
17	97885-06010	SCREW, PAN HEAD TORNILLO A MUESCA	1				
18	92995-06600	WASHER ARANDELA	1				
19	64D-81337-01	COVER, FLYWHEEL CUBIERTA DE VOLANTE	1				
20	90480-13M24	GROMMET TAPON	1				
21	663-82317-01	DAMPÉR, IGNITION COIL AMORTIGUADOR BOBINA ENCENDIDO	2				
22	64E-14488-00	LABEL, CAUTION ETIQUETA PRECAUCION	1				



64F1200-2090

FIG. 10 ELECTRICAL 1

EQUIPO ELECTRICO 1



REF. NO.	PART NO. CODIGO NO.	DESCRIPTION DESCRIPTION	225D				REMARKS OBSERVACION
1	6R3-81960-10	RECTIFIER & REGULATOR ASSY RECTIFICADOR Y REGULADOR	1				
2	6R3-82150-00	FUSE HOLDER ASSY PORTA-FUSIBLES COMPLETO	1				
3	705-82151-00	.FUSE (30A) .FUSIBLE (30A)	1				
4	6G5-82152-00	HOLDER, FUSE PORTA-FUSIBLES	1				
5	64D-81942-00	COVER CUBIERTA	1				
6	90387-06M66	COLLAR COLLAR	2				
7	97013-06055	BOLT PERNO	2				
8	92903-06600	WASHER, PLATE RONDANA SENCILLA	2				
9	97095-06012	BOLT PERNO	1				
10	92995-06600	WASHER ARANDELA	1				
11	90465-06M88	CLAMP BRIDA	1				
12	90464-15M11	CLAMP BRIDA	1				
13	97095-06012	BOLT PERNO	1				
14	92995-06600	WASHER ARANDELA	1				
15	64E-85540-01	C.D.I. UNIT ASSY UNIDAD C.D.I. COMPLETA	1				
16	97880-06020	SCREW, PAN HEAD TORNILLO DE CABEZA CON PLANA	4				
17	92990-06600	WASHER, PLATE ARANDELA PLANA	4				
18	90465-05M87	CLAMP BRIDA	1				
19	6R3-85542-03-1S	BRACKET SOPORTE	1				
20	90387-06M03	COLLAR COLLAR	3				
21	90480-09M12	GROMMET TAPON	3				
22	90119-06M61	BOLT, WITH WASHER TORNILLO CON ARANDELA	3				
23	64D-85537-00	COVER CUBIERTA	1				
24	90159-06M11	SCREW, WITH WASHER TORNILLO CON VALONA	4				
25	6R5-82582-00	COVER, WIRE HARNESS CUBIERTA DE ARNES DE CABLE	1				
26	90480-12M25	GROMMET TAPON	1				
27	662-82519-00	WIRE, EARTH LEAD CABLE CONDUCTOR A TIERRA	1				

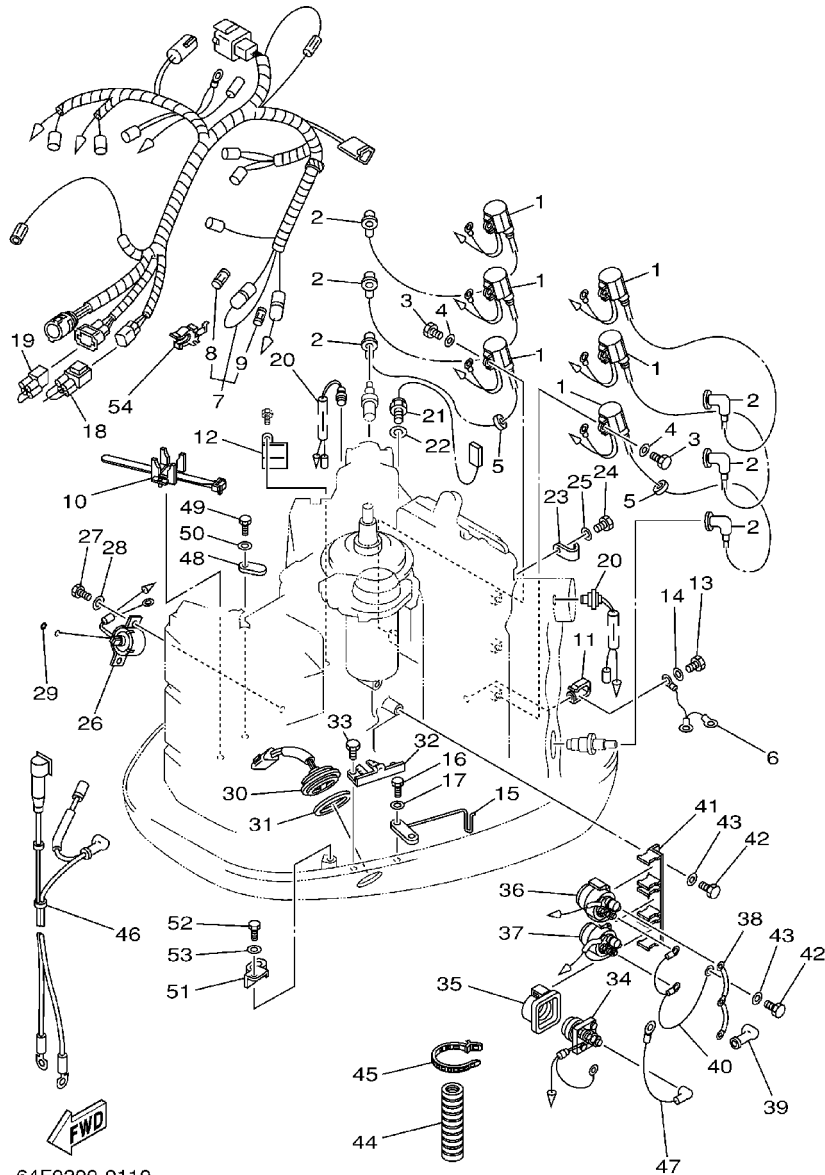


64F0200-1100



FIG. 11 ELECTRICAL 2

EQUIPO ELECTRICO 2

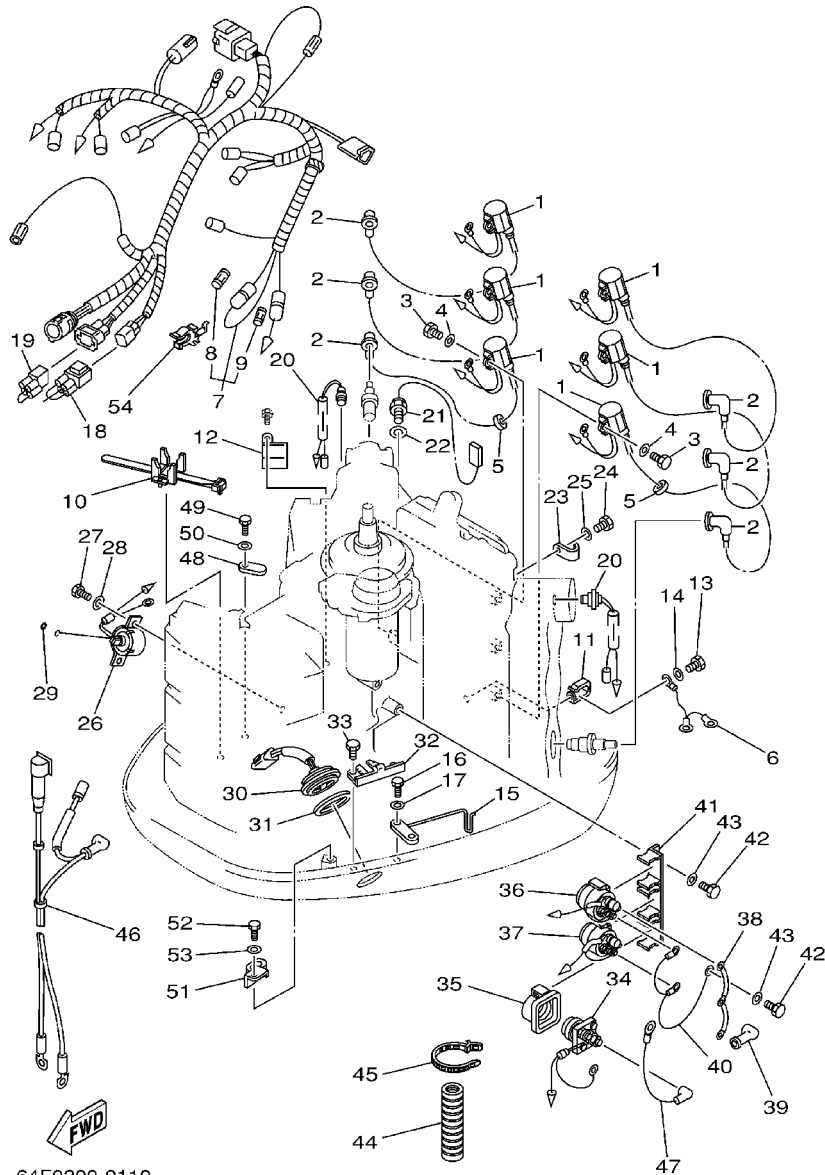


64F0200-0110

REF. NO.	PART NO. CODIGO NO.	DESCRIPTION DESCRIPTION	225D				REMARKS OBSERVACION
1	6R3-85570-01	IGNITION COIL ASSY BOBINA DE IGNICION COMPLETO	6				
2	6E3-82370-21	PLUG CAP ASSY TAPON DE BUJIA COMPLT	6				
3	97095-06020	BOLT PERNO	6				
4	92995-06600	WASHER ARANDELA	6				
5	90480-25161	GROMMET TAPON	2				
6	6E5-82531-10	WIRE, LEAD CABLE CONDUCTOR	1				
7	64D-82590-00	WIRE HARNESS ASSY CONJUNTO DE CABLES	1				
8	663-82151-00	.FUSE (12V-20A) .FUSIBLE (12V-20A)	1				
9	705-82151-00	.FUSE (30A) .FUSIBLE (30A)	1				
10	688-82594-00	CLAMP GRAMPA	1				
11	90465-05M87	CLAMP BRIDA	1				
12	90465-08M89	CLAMP BRIDA	1				
13	97095-06012	BOLT PERNO	1				
14	92995-06600	WASHER ARANDELA	1				
15	6K7-82588-00	PLATE PLACA	1				
16	97095-06020	BOLT PERNO	1				
17	92995-06600	WASHER ARANDELA	1				
18	6R5-82582-A0	COVER, WIRE HARNESS CUBIERTA DE ARNES DE CABLE	1				
19	6R5-82582-B0	COVER, WIRE HARNESS CUBIERTA DE ARNES DE CABLE	1				
20	688-82560-10	THERMO SWITCH ASSY INTER. DE TERMO	2				
21	61A-85790-00	THERMOSENSOR ASSY TERMICA SENSORIO	1				
22	92990-10600	WASHER, PLATE ARANDELA PLANA	1				
23	90465-06M86	CLAMP BRIDA	1				
24	97095-06012	BOLT PERNO	1				
25	92995-06600	WASHER ARANDELA	1				
26	64E-86110-00	SOLENOID SOLENOIDE	1				
27	97095-06016	BOLT PERNO	2				

FIG. 11 ELECTRICAL 2

EQUIPO ELECTRICO 2

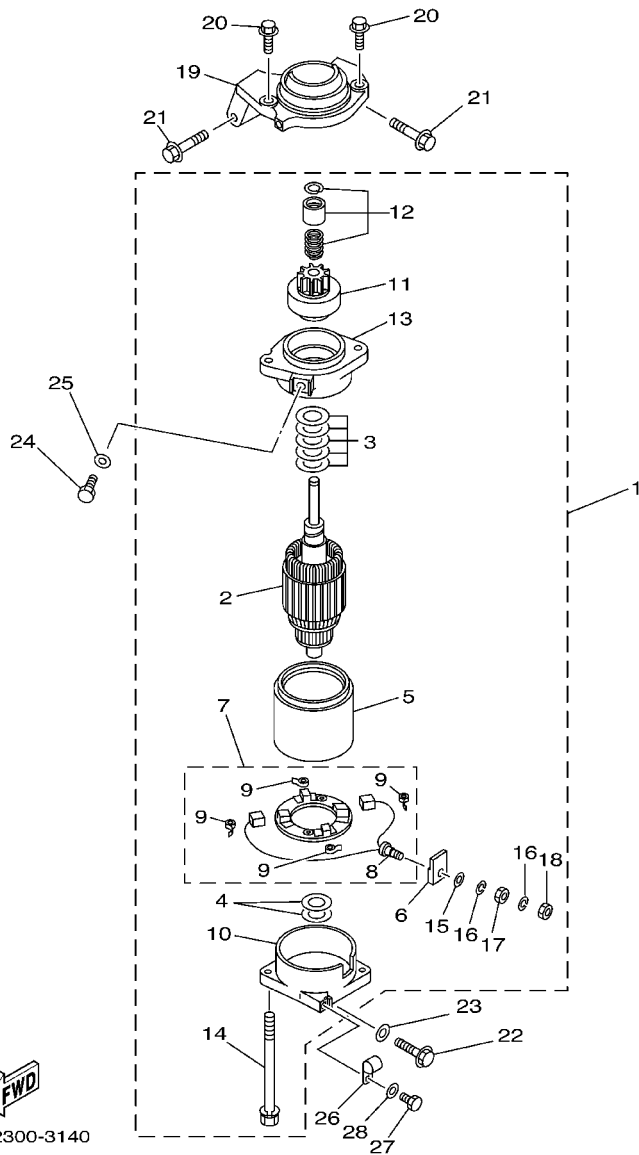


64F0200-0110

REF. NO.	PART NO. CODIGO NO.	DESCRIPTION DESCRIPTION	225D				REMARKS OBSERVACION
28	92995-06600	WASHER ARANDELA	2				
29	93210-03261	O-RING JUNTA TORICA	1				
30	6R3-82563-00	TRIM & TILT SWITCH ASSY INTERRUPTOR DE INCLINACION	1				
31	6E5-82587-00	GASKET EMPAQUETADURA	1				
32	6R3-83614-00	BRACKET SOPORTE	1				
33	97095-06012	BOLT PERNO	2				
34	61A-81941-00	STARTER RELAY ASSY RELE DE ARRANQUE	1				
35	689-81952-10	HOLDER, RELAY SOSTEN DE RELE	1				
36	6E5-81950-00	RELAY ASSY RELE COMPLETO	1				
37	6E5-8195A-00	RELAY ASSY RELE COMPLETO	1				
38	6G5-87149-10	CONNECTOR CONECTOR	1				
39	6G5-82119-00	COVER, LEAD WIRE CUBIERTA DE CABLE CONDUCTOR	2				
40	6E5-82116-00	WIRE, MINUS LEAD CABLE CONDUCTOR NEGATIVO	1				
41	6G5-81948-11	BRACKET SOPORTE	1				
42	97095-06016	BOLT PERNO	2				
43	92995-06600	WASHER ARANDELA	2				
44	6E9-83557-70	TUBE ENCHUFE DE ACEITE	1				
45	90465-13M18	CLAMP BRIDA	1				
46	6R3-82105-02	WIRE HARNESS ARNES DE CABLES	1				
47	6K7-82117-00	WIRE, LEAD CABLE CONDUCTOR	1				
48	6E5-82588-00	PLATE PLACA	1				
49	97095-06020	BOLT PERNO	1				
50	92995-06600	WASHER ARANDELA	1				
51	90465-12M25	CLAMP BRIDA	1				
52	97095-06012	BOLT PERNO	1				
53	92995-06600	WASHER ARANDELA	1				
54	6G5-82152-00	HOLDER, FUSE PORTA-FUSIBLES	2				

FIG. 12 STARTING MOTOR

MOTOR DE ARRANQUE



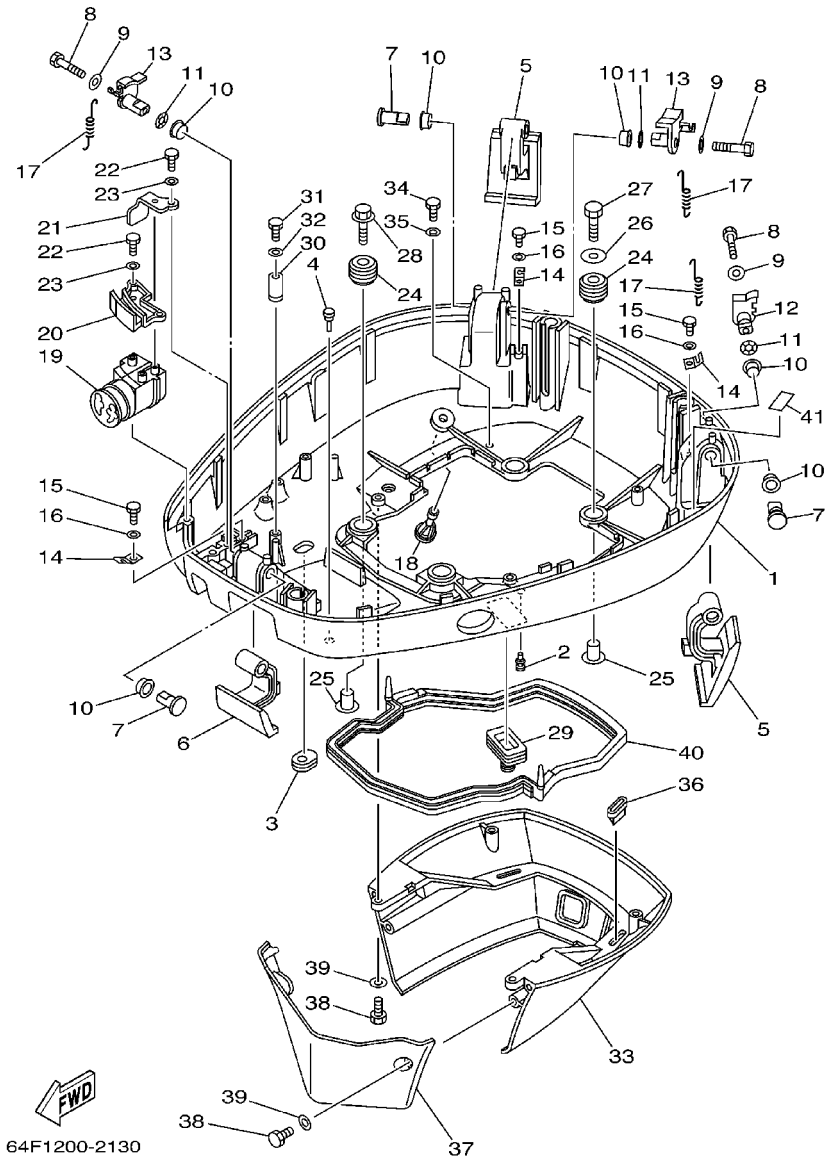
64M2300-3140

REF. NO.	PART NO. CODIGO NO.	DESCRIPTION DESCRIPTION	225D				REMARKS OBSERVACION
1	6N7-81800-10	STARTING MOTOR ASSY MOTOR DE ARRANQUE COMPLETO	1				
2	6N7-81850-10	.ARMATURE ASSY .INDUCIDO COMPLETO	1				
3	61A-81809-00	.WASHER KIT .JUEGO DE ARANDELA	1				
4	61A-81824-00	.WASHER 2 .ARANDELA 2	2				
5	6N7-81810-00	.STATOR ASSY .ESTATOR COMPLETO	1				
6	6K7-8182G-10	.BUSH, TERMINAL .BUJE DE TERMINAL	1				
7	6N7-81840-00	.BRUSH HOLDER ASSY .SOSTEN DE ESCOBILLA COMPLETO	1				
8	6N7-81801-00	.BRUSH SET .JUEGO DE ESCOBILLA	1				
9	6N7-81813-00	.SPRING, BRUSH .RESORTE DE ESCOBILLA	4				
10	6N7-81820-10	.REAR BRACKET ASSY .CUBIERTA TRASERA COMPL	1				
11	6N7-81807-00	.GEAR ASSY, STARTING MOTOR .PINON CONJUNTO	1				
12	6N7-81857-00	.RETAINER .SEGURO	1				
13	6N7-81830-00	.FRONT BRACKET ASSY .SOPORTE DELANTERO COMPLETO	1				
14	6K7-81826-10	.BOLT .PERNO	2				
15	6E5-8182E-10	.WASHER .RONDANA	1				
16	6E5-8182F-10	.WASHER .RONDANA	2				
17	6E5-8182A-10	.NUT .TUERCA	1				
18	6E5-8182K-10	.NUT .TUERCA	1				
19	6K7-81822-00-94	BRACKET, STARTING MOTOR SOPORTE DE MOTOR DE ARRANQUE	1				
20	90119-08M76	BOLT, WITH WASHER TORNILLO CON ARANDELA	2				
21	90119-08M77	BOLT, WITH WASHER TORNILLO CON ARANDELA	2				
22	90119-08M57	BOLT, WITH WASHER TORNILLO CON ARANDELA	1				
23	92990-08600	WASHER, PLATE ARANDELA PLANA	1				
24	97095-08016	BOLT PERNO	1				
25	92995-08600	WASHER ARANDELA	1				
26	90465-06M86	CLAMP BRIDA	1				
27	97095-06012	BOLT PERNO	1				



FIG. 13 BOTTOM COWLING

CUBIERTA INFERIOR

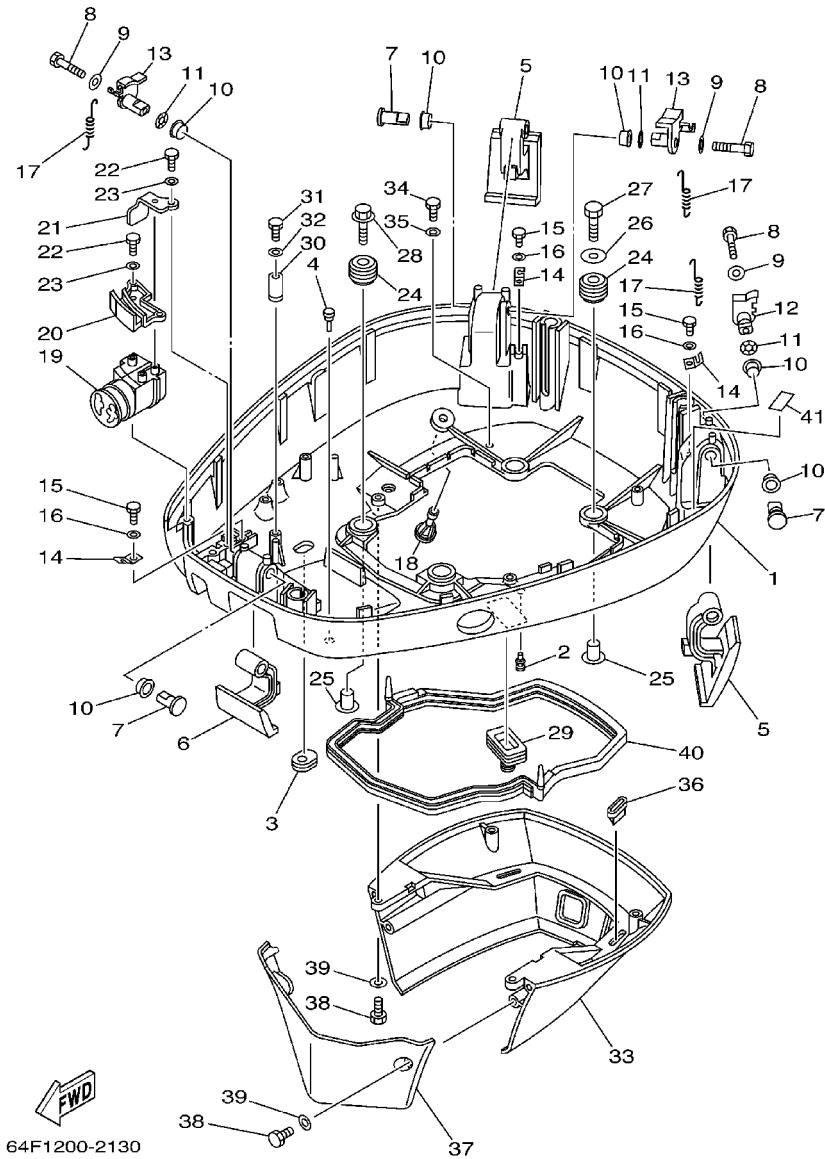


REF. NO.	PART NO. CODIGO NO.	DESCRIPTION DESCRIPTION	225D				REMARKS OBSERVACION
1	64D-42711-01-8D	COWLING, BOTTOM CUBIERTA INFERIOR	1				
2	90480-06M19	GROMMET TAPON	1				
3	61A-42727-00	GROMMET TAPON	1				
4	6H4-42748-00	GROMMET TAPON	1				
5	64D-42815-00-4D	LEVER, CLAMP PALANCA ABRAZADERA	2				
6	64D-42816-00-4D	LEVER, CLAMP PALANCA ABRAZADERA	1				
7	64D-42835-00	PIN, SET 1 PASADOR 1	3				
8	97095-06040	BOLT PERNO	3				
9	90201-06068	WASHER, PLATE ARANDELA PLANA	3				
10	90386-15M73	BUSH BUJE	6				
11	90206-15M18	WASHER, WAVE ARANDELA ONDULADA	3				
12	64D-42818-20	LEVER, CLAMP PALANCA, ABRAZADERA	1				
13	64D-42818-30	LEVER, CLAMP PALANCA, ABRAZADERA	2				
14	64D-43144-00	HOOK, SPRING GANCHO	3				
15	97090-06012	BOLT PERNO	3				
16	92990-06600	WASHER, PLATE ARANDELA PLANA	3				
17	90506-16M34	SPRING, TENSION RESORTE DE TENSION	3				
18	6E5-44391-00	NIPPLE, HOSE NIPLE MANGUERA	1				
19	64D-42725-00	GROMMET TAPON	1				
20	64D-42738-00-5B	PLATE, FITTING PLACA DE AJUSTE	1				
21	64D-42738-10-5B	PLATE, FITTING PLACA DE AJUSTE	1				
22	97095-06016	BOLT PERNO	3				
23	92995-06600	WASHER ARANDELA	3				
24	90480-22M15	GROMMET TAPON	4				
25	90387-08M37	COLLAR COLLAR	4				
26	90201-08M54	WASHER, PLATE ARANDELA PLANA	1				
27	97075-08035	BOLT PERNO	1				



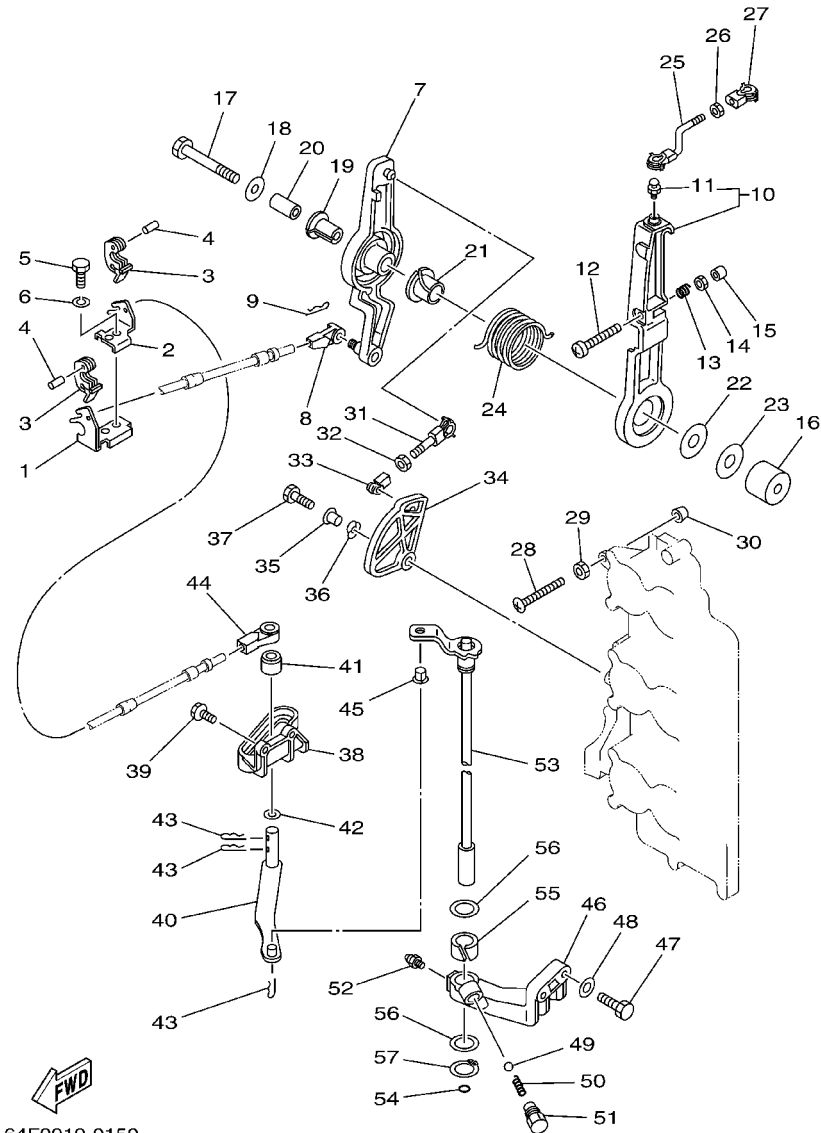
FIG. 13 BOTTOM COWLING

CUBIERTA INFERIOR



64F1200-2130

REF. NO.	PART NO. CODIGO NO.	DESCRIPTION DESCRIPTION	225D				REMARKS OBSERVACION
28	90119-08M22	BOLT, WITH WASHER TORNILLO CON ARANDELA	3				
29	688-42726-10	GROMMET TAPON	1				
30	6E5-82588-00	PLATE PLACA	1				
31	97095-06020	BOLT PERNO	1				
32	92995-06600	WASHER ARANDELA	1				
33	6R3-42741-02-8D	APRON MANDIL	1				
34	97095-06020	BOLT PERNO	2				
35	92995-06600	WASHER ARANDELA	2				
36	64D-42717-00	RUBBER, SEAL 2 GOMA	2				
37	6R3-42771-01-8D	APRON MANDIL	1				
38	97095-06020	BOLT PERNO	4				
39	92995-06600	WASHER ARANDELA	4				
40	6E5-42716-10	RUBBER, SEAL 1 SELLO DE GOMA 1	1				
41	6G5-42791-10	MARK 1 MARCA 1	1				

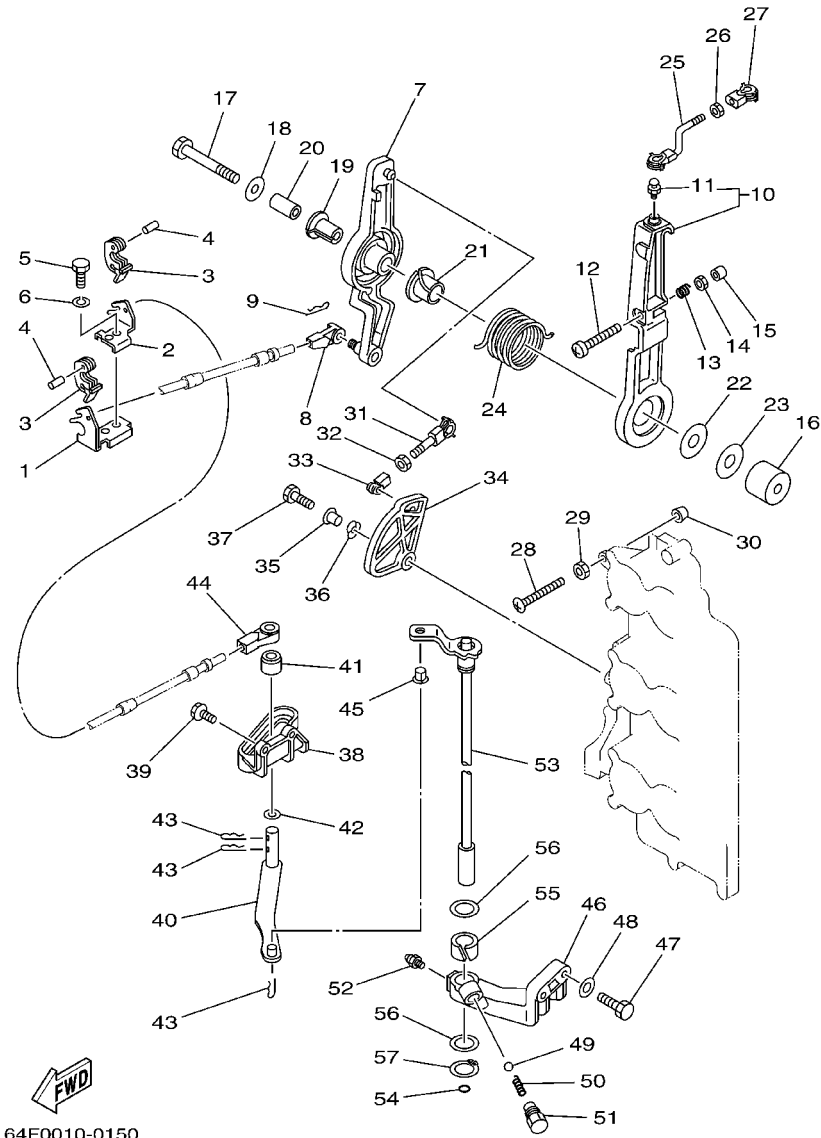


64F0010-0150

FIG. 14 CONTROL

CONTROL

REF. NO.	PART NO. CODIGO NO.	DESCRIPTION DESCRIPTION	225D				REMARKS OBSERVACION
1	64D-48531-00	BRACKET, REMOTE CONTROL 1 SOPORTE DE CONTROL REMOTO	1				
2	64D-48532-00	BRACKET, REMOTE CONTROL 2 SOPORTE DE CONTROL REMOTO	1				
3	6E5-48538-00	CLAMP, CABLE GRAMPA DE CABLE	2				
4	91690-30012	PIN, SPRING PASADOR DE RESORTE	2				
5	97095-08020	BOLT PERNO	1				
6	92995-08100	WASHER ARANDELA	1				
7	61H-41632-02-1S	LEVER, MAGNETO CONTROL PALANCA DE CONTROL DE MAGNETO	1				
8	6E5-48344-00	CABLE END, REMOTE CONTROL BASE CONTROL	1				
9	90468-18008	CLIP PRESILLA	1				
10	6G5-41631-01-1S	LEVER, MAGNETO CONTROL PALANCA DE CONTROL DE MAGNETO	1				
11	663-85518-00	JOINT, BALL CONECTOR	1				
12	90157-06013	SCREW, PAN HEAD TORNILLO CABEZA CONICA PLANA	1				
13	90501-16M12	SPRING, COMPRESSION RESORTE DE COMPRESION	1				
14	95303-06600	NUT TUERCA	1				
15	688-44194-00	CAP TAPA	1				
16	90387-08M17	COLLAR COLLAR	1				
17	90101-08M14	BOLT TORNILLO	1				
18	90201-08M23	WASHER, PLATE ARANDELA PLANA	1				
19	90386-12089	BUSH BUJE	1				
20	90387-08M16	COLLAR COLLAR	1				
21	90386-22M13	BUSH BUJE	1				
22	90202-12092	WASHER, PLATE ARANDELA DE PLANA	1				
23	90201-08M13	WASHER, PLATE ARANDELA PLANA	1				
24	90508-29M12	SPRING, TORSION RESORTE DE TORSION	1				
25	6G5-41636-01	ROD, MAGNETO CONTROL VARILLA DE CONTROL MAGNETO	1				
26	95380-05600	NUT TUERCA	1				
27	662-41237-01	JOINT, LINK CONECTOR	1				

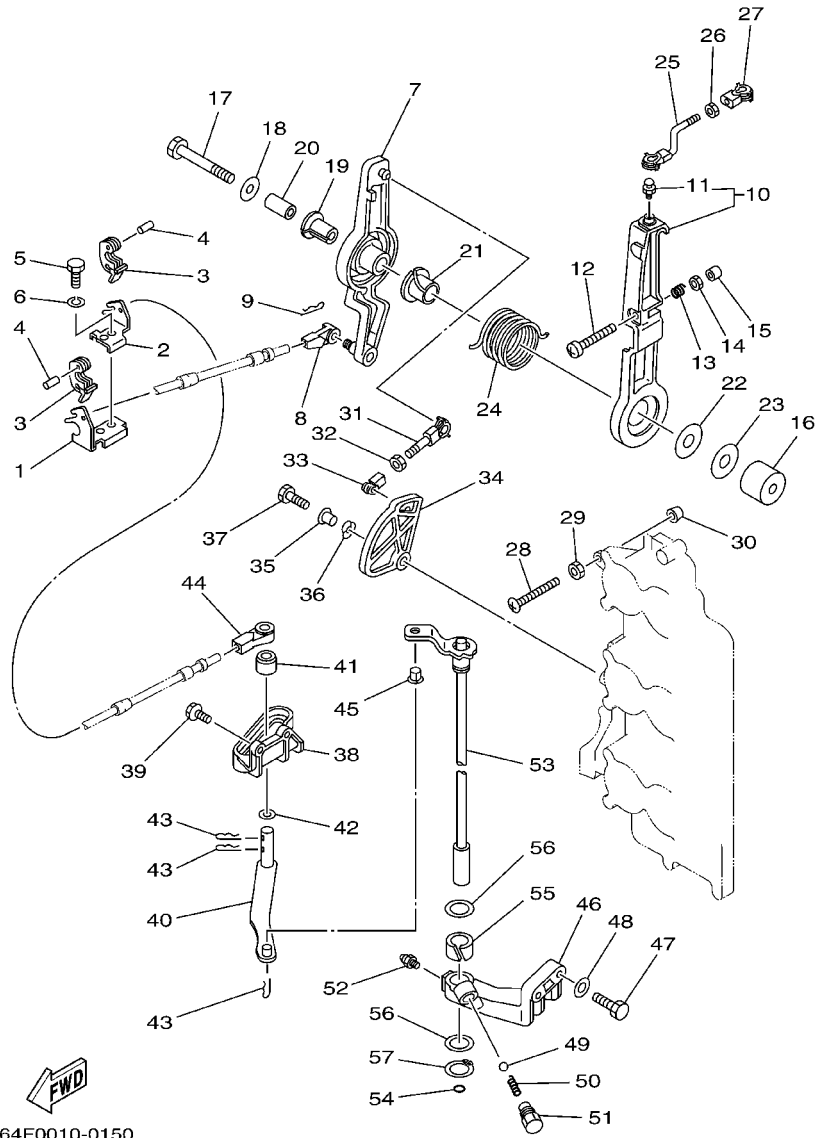


64F0010-0150

FIG. 14 CONTROL

CONTROL

REF. NO.	PART NO. CODIGO NO.	DESCRIPTION DESCRIPTION	225D				REMARKS OBSERVACION
28	90157-06M07	SCREW, PAN HEAD TORNILLO CABEZA CONICA PLANA	1				
29	95303-06600	NUT TUERCA	1				
30	688-44194-00	CAP TAPA	1				
31	682-41237-50	JOINT, LINK CONECTOR	1				
32	95380-05600	NUT TUERCA	1				
33	662-41237-01	JOINT, LINK CONECTOR	1				
34	61H-41213-00	CAM, ACCEL. LEVA ACELERADOR	1				
35	90387-06M29	COLLAR COLLAR	1				
36	90206-10M04	WASHER, WAVE ARANDELA ONDULADA	1				
37	97095-06025	BOLT PERNO	1				
38	6E5-44117-00-1S	BRACKET SOPORTE	1				
39	90119-06MA2	BOLT, WITH WASHER TORNILLO CON ARANDELA	2				
40	68F-44121-00	LEVER, SHIFT ROD PALANCA VARILLA CAMBIOS	1				
41	6E5-44122-00	BUSHING, SHIFT ROD LEVER BUJE PALANCA VARILLA DE CAMBIO	1				
42	90202-08M20	WASHER, PLATE ARANDELA DE PLANA	1				
43	90468-18008	CLIP PRESILLA	3				
44	6E5-48344-00	CABLE END, REMOTE CONTROL BASE CONTROL	1				
45	90386-06M12	BUSH BUJE	1				
46	6E5-44118-01-94	BRACKET SOPORTE	1				
47	97013-08030	BOLT PERNO	2				
48	92903-08600	WASHER, PLATE ARANDELA PLANA	2				
49	93501-04M02	BALL ESFERA	1				
50	90501-12082	SPRING, COMPRESSION RESORTE DE COMPRESION	1				
51	648-42715-00	BUSHING BUJE	1				
52	93700-06M03	NIPPLE, GREASE BOQUILLA DE ENGRASAR	1				
53	6E5-44120-03	HANDLE GEAR SHIFT ASSY MANIJA DE CAMBIO COMPL	1				L
	6E5-44120-23	HANDLE GEAR SHIFT ASSY MANIJA DE CAMBIO COMPL	1				X



64F0010-0150

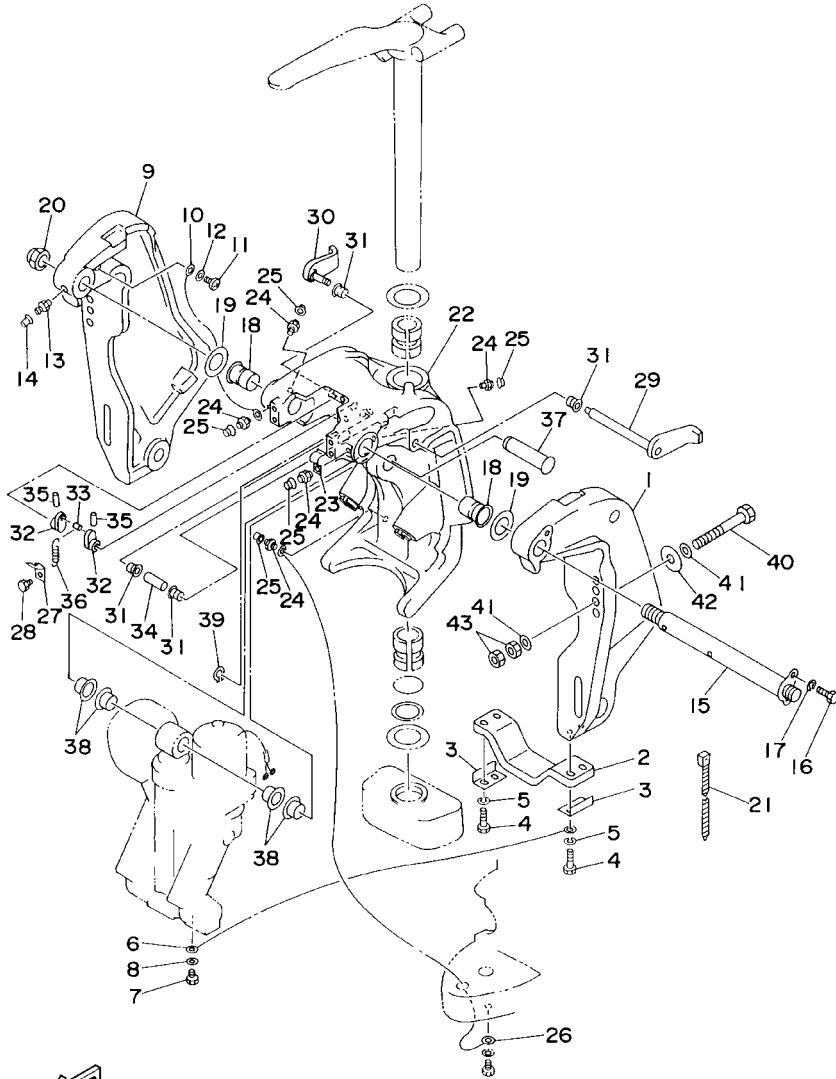
FIG. 14 CONTROL

CONTROL

REF. NO.	PART NO. CODIGO NO.	DESCRIPTION DESCRIPTION	225D				REMARKS OBSERVACION
54	93210-09165	O-RING JUNTA TORICA	1				
55	90386-16M66	BUSH BUJE	1				
56	90202-16061	WASHER, PLATE ARANDELA DE PLANA	2				
57	93410-16006	CIRCLIP SEGURO	1				
-----							
-----							
-----							
-----							
-----							
-----							
-----							
-----							
-----							

FIG. 15 BRACKET 1

SOPORTE 1

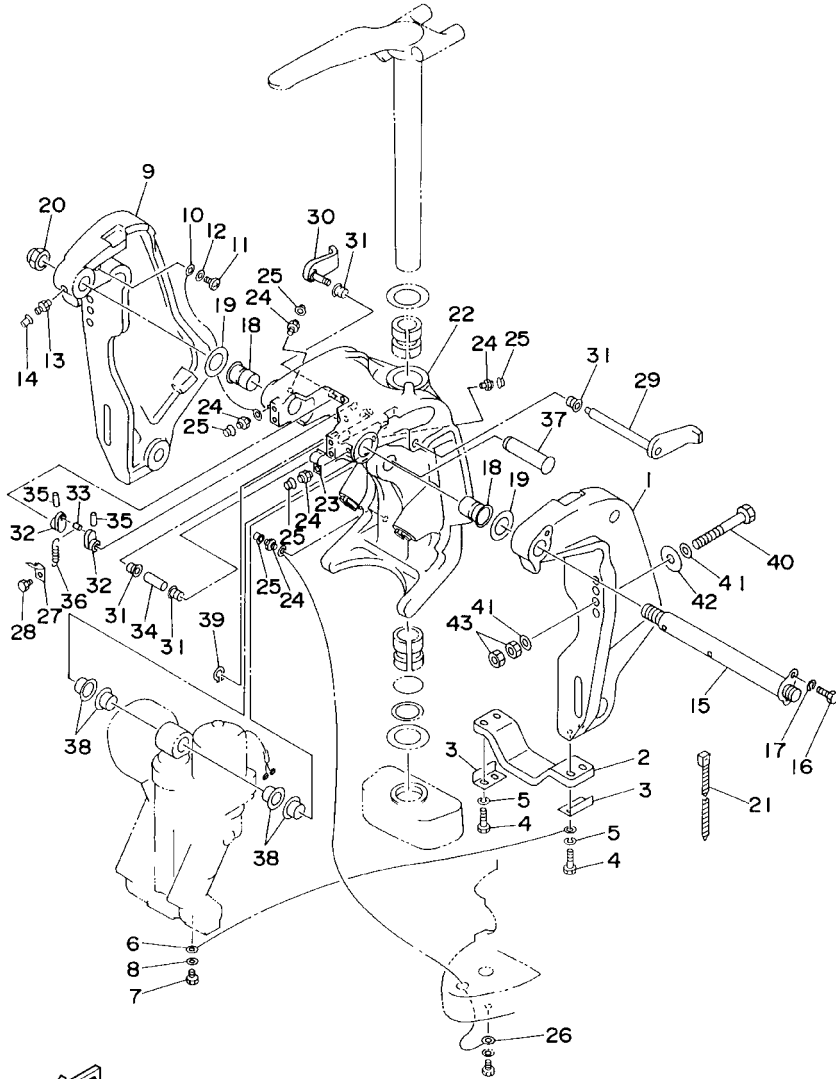


6N60010-7160

REF. NO.	PART NO. CODIGO NO.	DESCRIPTION DESCRIPTION	225D				REMARKS OBSERVACION
1	64E-43111-02-8D	BRACKET, CLAMP SOPORTE DE LA ABRAZADERA	1				
2	6G5-45251-02	ANODE CATODE	1				
3	6G5-44526-00	PLATE PLACA 1	2				
4	97095-06030	BOLT PERNO	4				
5	92995-06100	WASHER, SPRING ARANDELA	4				
6	6E5-82148-00	WIRE, LEAD 4 CABLE CONDUCTOR 4	1				
7	97095-06010	BOLT PERNO	1				
8	92995-06600	WASHER ARANDELA	1				
9	64E-43112-02-8D	BRACKET, CLAMP SOPORTE DE LA ABRAZADERA	1				
10	6E5-82148-00	WIRE, LEAD 4 CABLE CONDUCTOR 4	1				
11	97880-06012	SCREW, PAN HEAD TORNILLO DE CABEZA CON PLANA	1				
12	92990-06600	WASHER, PLATE ARANDELA PLANA	1				
13	93700-06M03	NIPPLE, GREASE BOQUILLA DE ENGRASAR	1				
14	663-45119-00	CAP, GREASE NIPPLE TAPA DE GRASERA	1				AP
15	64E-43131-01	BOLT, CLAMP BRACKET TORNILLO DE ABRAZADERA DEL SOP	1				
16	97095-08020	BOLT PERNO	1				
17	92995-08100	WASHER ARANDELA	1				
18	90386-25M31	BUSH BUJE	2				
19	90201-26M59	WASHER, PLATE ARANDELA PLANA	2				
20	90185-22M11	NUT, SELF-LOCKING TUERCA AUTOBLOCANTE	1				
21	90465-11M10	CLAMP BRIDA	1				
22	64E-43311-10-8D	BRACKET, SWIVEL 1 SOPORTE GIRATORIO 1	1				L
	64E-43311-20-8D	BRACKET, SWIVEL 1 SOPORTE GIRATORIO 1	1				X
23	90465-08M63	CLAMP BRIDA	1				
24	93700-06M03	NIPPLE, GREASE BOQUILLA DE ENGRASAR	5				
25	663-45119-00	CAP, GREASE NIPPLE TAPA DE GRASERA	5				AP
26	6E5-82147-00	WIRE, LEAD 4 CABLE CONDUCTOR 4	1				L

FIG. 15 BRACKET 1

SOPORTE 1

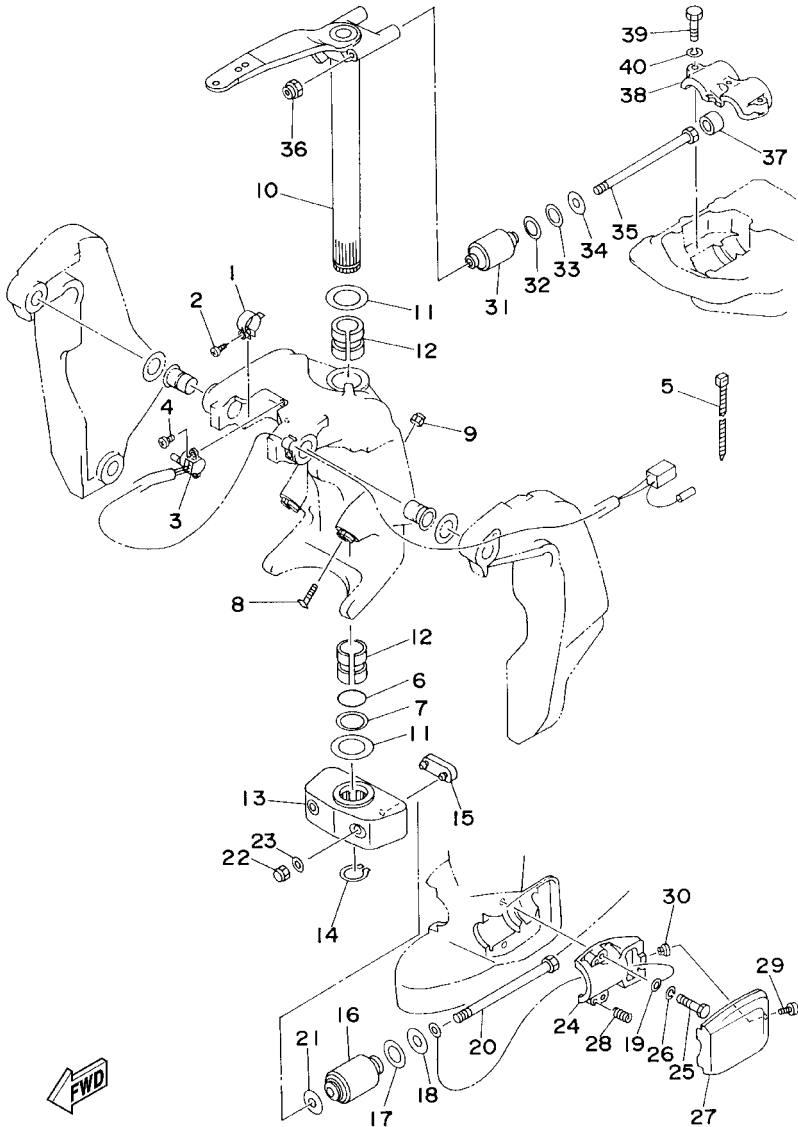


6N60010-7160

REF. NO.	PART NO. CODIGO NO.	DESCRIPTION DESCRIPTION	225D				REMARKS OBSERVACION
26	6E5-82147-20	WIRE, LEAD 4 CABLE CONDUCTOR 4	1				X
27	6G5-43144-00	HOOK, SPRING GANCHO	1				
28	97095-06010	BOLT PERNO	1				
29	6G5-43181-02	LEVER, TILT STOP PALANCA TOPE INCLINACION	1				
30	6G5-43185-02	LEVER, TILT STOP PALANCA TOPE INCLINACION	1				
31	90386-10M16	BUSH BUJE	4				
32	6G5-43148-00	COLLAR, DISTANCE COLLAR	2				
33	90249-06M19	PIN PASADOR	1				
34	90387-10M05	COLLAR COLLAR	1				
35	91690-30020	PIN, SPRING PASADOR DE RESORTE	2				
36	90506-14M24	SPRING, TENSION RESORTE DE TENSION	1				
37	64E-43126-00	PIN, UPPER SHOCK MOUNT PASADOR DE AMORTIGUADOR SUPERIOR	1				
38	90386-22M98	BUSH BUJE	4				
39	93410-22M11	CIRCLIP SEGURO	1				
40	90101-12M03	BOLT (L:115MM) TORNILLO (L:115MM)	4				
41	90201-13M01	WASHER, PLATE ARANDELA PLANA	8				
42	90201-12M05	WASHER, PLATE ARANDELA PLANA	4				
43	95380-12600	NUT TUERCA	8				

FIG. 16 BRACKET 2

SOPORTE 2

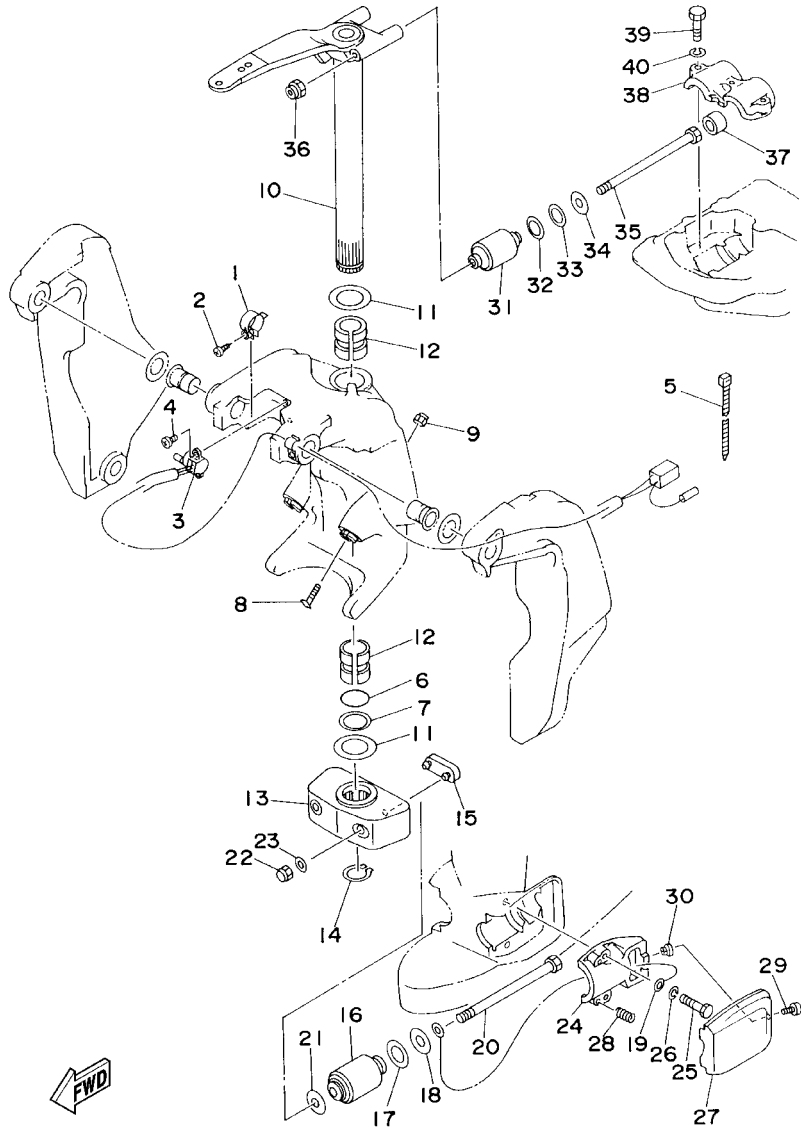


64D0010-7170

REF. NO.	PART NO. CODIGO NO.	DESCRIPTION DESCRIPTION	225D				REMARKS OBSERVACION
1	64E-43139-02	CAM, TRIM SENDER LEVA TRANSMISOR DE INCLINDOR	1				
2	97780-60525	SCREW, TAPPING TORNILLO DE CABEZA DE CONO ACH	1				
3	64E-83672-02	TRIM SENDER TRANSMISOR DE INCLINADOR	1				
4	97885-06016	SCREW, PAN HEAD TORNILLO A MUESCA	2				
5	90465-11M10	CLAMP BRIDA	3				
6	93210-37MH7	O-RING JUNTA TORICA	1				
7	90202-40M47	WASHER, PLATE ARANDELA DE PLANA	1				
8	61A-43376-00	BOLT, THRUST RECEIVER TORNILLO RECEPTOR	2				
9	95780-10300	NUT, FLANGE TUERCA	2				
10	6E5-42510-A1-8D	STEERING BRACKET ASSY SOPORTE DIRECCION COMPL.	1				L
	6E5-42510-B1-8D	STEERING BRACKET ASSY SOPORTE DIRECCION COMPL.	1				X
11	90201-38M60	WASHER, PLATE ARANDELA PLANA	2				
12	90386-38M32	BUSH BUJE	2				
13	6G5-44551-01-8D	HOUSING, LOWER MOUNT RUBBER CAJA AMORTIGUADOR INFERIOR HU	1				
14	93410-37M04	CIRCLIP SEGURO	1				
15	6E5-44575-00	DAMPER, LOWER MOUNT RUBBER AMORTIGUADOR INFERIOR	1				
16	6G5-44555-00-94	MOUNT DAMPER, LOWER SIDE AMORTIGUADOR DE HULE LADO INFE	2				
17	90202-32M19	WASHER, PLATE ARANDELA DE PLANA	2				
18	90201-16M55	WASHER, PLATE ARANDELA PLANA	2				
19	6E5-82149-00	WIRE, LEAD 3 CABLE CONDUCTOR 3	1				
20	90109-14M34	BOLT PERNO	2				
21	90201-15M58	WASHER, PLATE ARANDELA PLANA	2				
22	95380-14800	NUT TUERCA	2				
23	92995-14600	WASHER ARANDELA	2				
24	6E5-44552-01-94	HOUSING, LOWER MOUNT RUBBER CAJA AMORTIGUADOR INFERIOR HU	2				
25	97095-10045	BOLT PERNO	4				
26	92995-10100	WASHER ARANDELA	4				

FIG. 16 BRACKET 2

SOPORTE 2

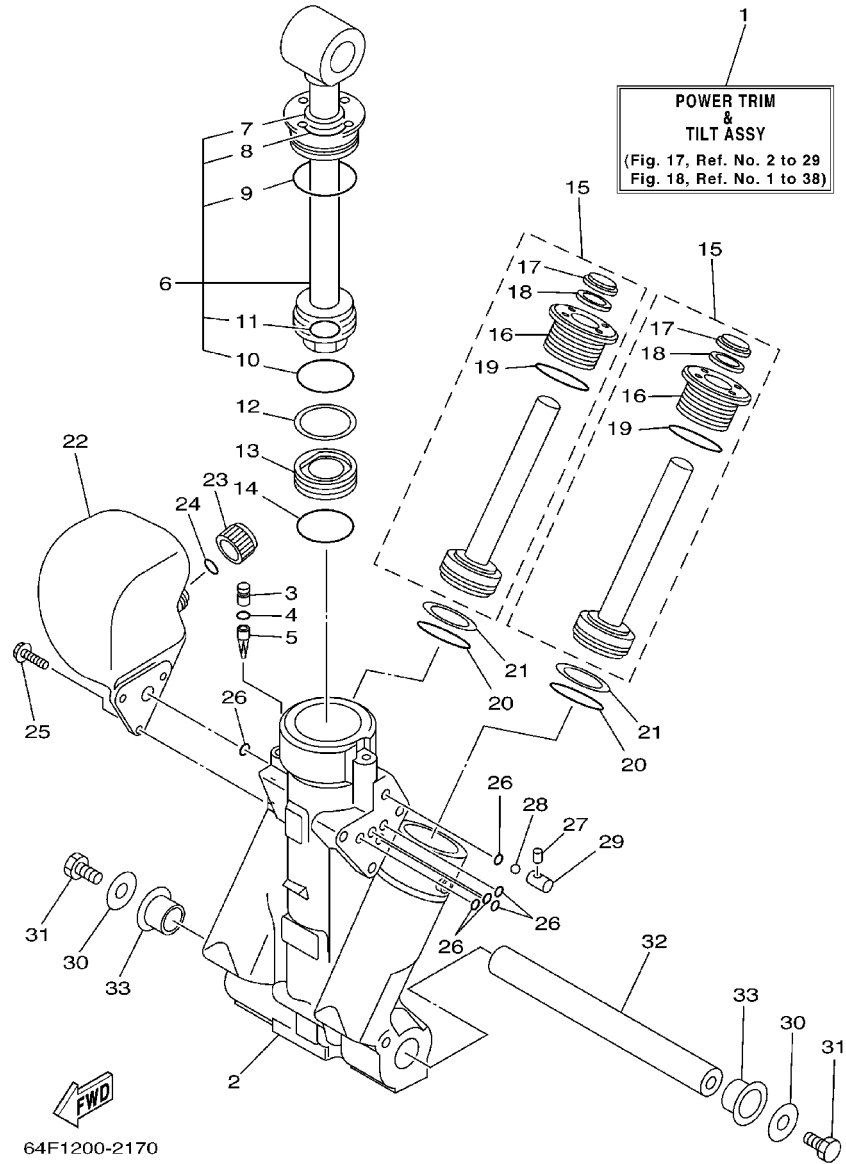


64D0010-7170

REF. NO.	PART NO. CODIGO NO.	DESCRIPTION DESCRIPTION	225D				REMARKS OBSERVACION
27	6E5-44553-01-8D	COVER, LOWER MOUNT CUBIERTA, AMORTIGUADOR INFERIOR	2				
28	90501-16M28	SPRING, COMPRESSION RESORTE DE COMPRESION	4				
29	97885-06016	SCREW, PAN HEAD TORNILLO A MUESCA	2				
30	90179-06066	NUT TUERCA	2				
31	6G5-44514-00-94	MOUNT DAMPER, UPPER SIDE AMORTIGUADOR LADO SUPERIOR	2				
32	90201-26M57	WASHER, PLATE ARANDELA PLANA	2				
33	90202-26M18	WASHER, PLATE ARANDELA DE PLANA	2				
34	90201-14M56	WASHER, PLATE ARANDELA PLANA	2				
35	90109-12M37	BOLT PERNO	2				
36	90185-12M12	NUT, SELF-LOCKING TUERCA AUTOBLOCANTE	2				
37	663-44575-00	DAMPER, LOWER MOUNT RUBBER AMORTIGUADOR INFERIOR	2				
38	6E5-44511-00-5B	COVER, UPPER MOUNT CUBIERTA AMORTIGUADOR SUPERIOR	1				
39	97095-10045	BOLT PERNO	3				
40	92995-10100	WASHER ARANDELA	3				



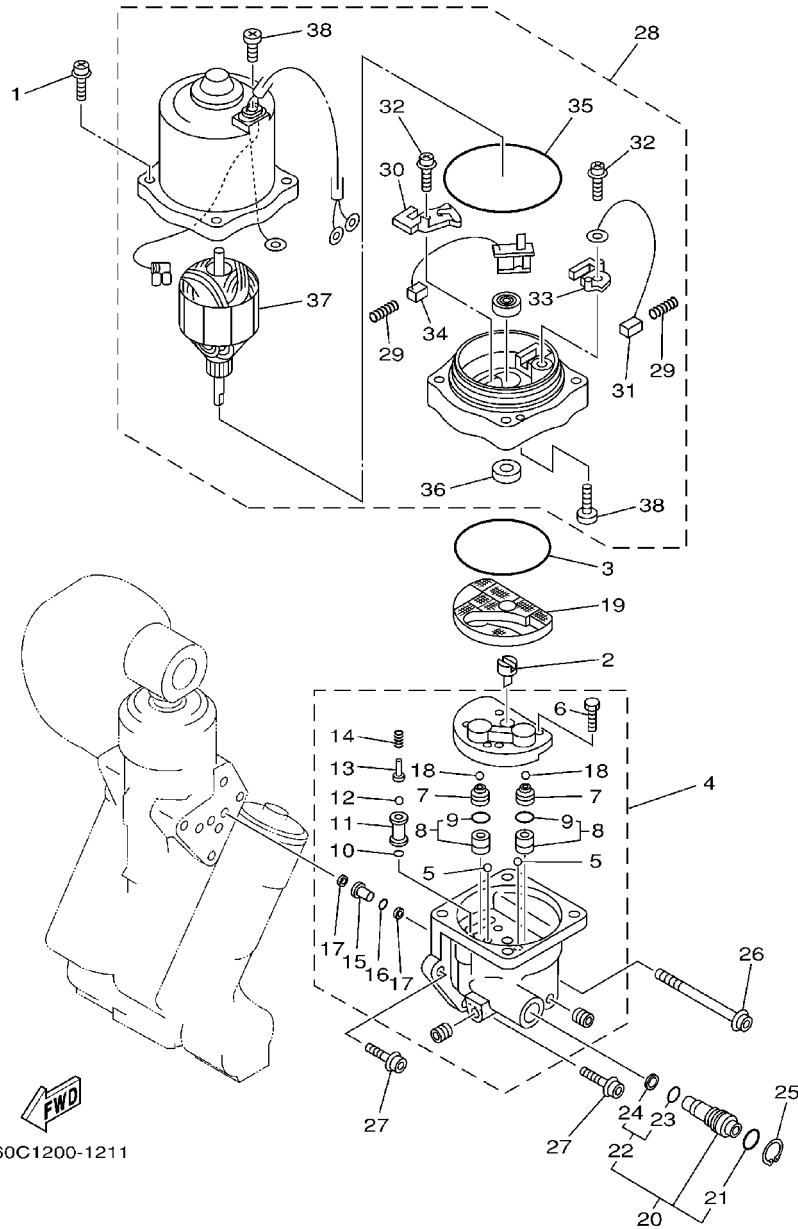
FIG. 17 POWER TRIM & TILT ASSY 1 COMPONER Y PODER VARILLA 1



REF. NO.	PART NO. CODIGO NO.	DESCRIPTION DESCRIPTION	225D					REMARKS OBSERVACION
1	64E-43800-02-4D	POWER TRIM & TILT ASSY ELEVADOR HIDRAULICO COMPL	1					
2	64E-43825-01	HOUSING, TRIM & TILT CAJA INCLINACION Y ADRNO	1					
3	64E-4388J-00	PLUG 2 TAPON 2	1					
4	93210-10M74	O-RING JUNTA TORICA	1					
5	64E-43817-00	FILTER 2 FILTRO 2	1					
6	64E-43810-00	TILT PISTON SUB ASSY ELEVADOR SUB-PISTON COMPL	1					
7	64E-43898-00	.SEAL ,DUST 2 .SELLO ANTIPOLVO	1					
8	64E-43867-00	.O-RING .ANILLO EN O 7	1					
9	64E-43866-00	.O-RING .ANILLO EN O 6	1					
10	6E5-43862-00	.O-RING .ANILLO EN O 2	1					
11	64E-43883-00	.O-RING .ANILLO EN O 10	1					
12	6E5-43872-00	RING, BACK UP ANILLO	1					
13	6E5-43814-02	PISTON, FREE PISTON LIBRE	1					
14	6E5-43862-00	O-RING ANILLO EN O 2	1					
15	64E-43820-00	TRIM PISTON SUB ASSY ELEVADOR PISTON COMPL	2					
16	64E-43821-00	.SCREW, TRIM CYLINDER END .TORNILLO CILINDURO EXTREMO	1					
17	64E-43822-00	.SEAL, TRIM DUST .SELLO DE POLVO	1					
18	64E-4384J-00	.SEAL, TRIM DOWN .SELLO	1					
19	6G5-43864-00	.O-RING .ANILLO EN O 4	1					
20	6E5-43864-00	O-RING ANILLO EN O 4	2					
21	6E5-43874-01	RING, BACK UP ANILLO	2					
22	64E-43828-00	BODY, RESERVOIR CUERPO DEPOSITO	1					
23	64E-43829-00	PLUG, RESERVOIR TAPON DEPOSITO	1					
24	64E-43897-00	O-RING ANILLO EN O	1					
25	64E-4388E-00	BOLT ,SCREW (L:14MM) PERNO (L:14MM)	3					
26	64E-43869-00	O-RING ANILLO EN O 9	6					
27	64E-4381G-00	PIN PASADOR 1	1					



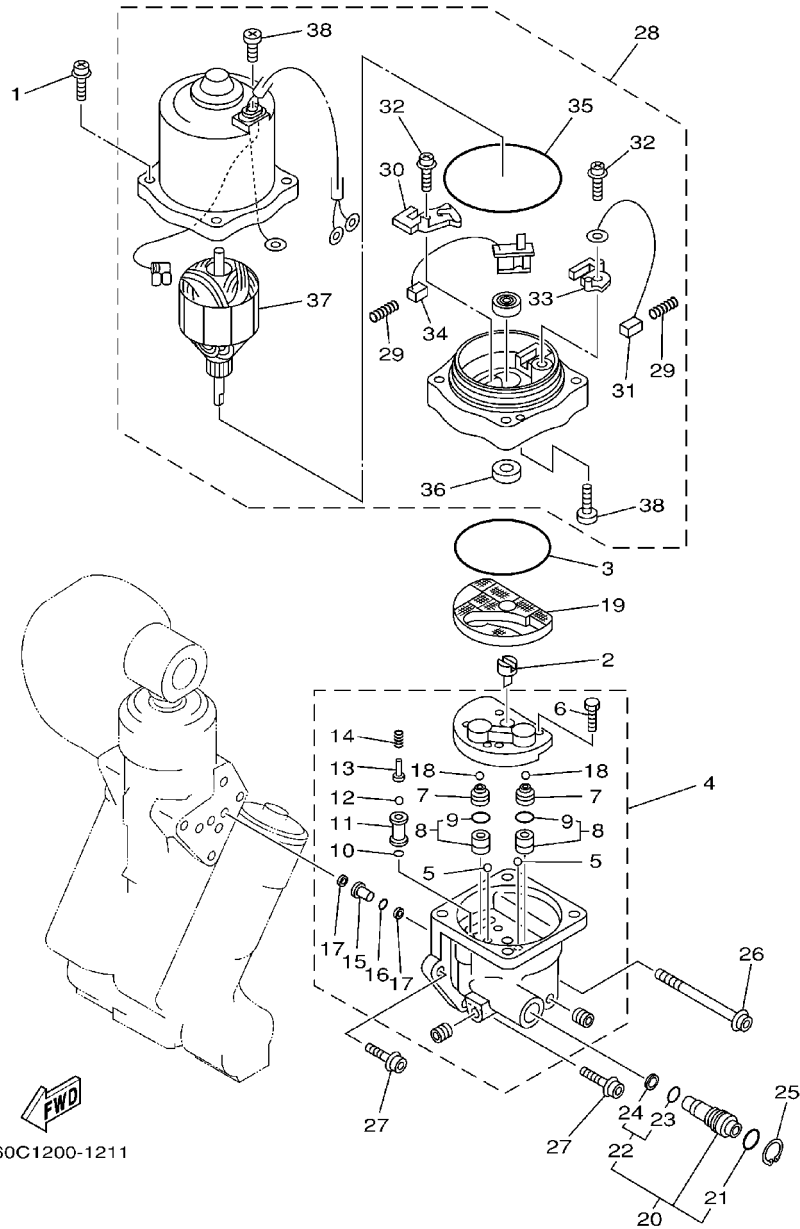
FIG. 18 POWER TRIM & TILT ASSY 2 COMPONER Y PODER VARILLA 2



60C1200-1211

REF. NO.	PART NO. CODIGO NO.	DESCRIPTION DESCRIPTION	225D				REMARKS OBSERVACION
1	64E-4388E-10	BOLT ,SCREW (L:34.7MM) PERNO (L:34.7MM)	4				
2	64E-43831-00	CONNECTOR, SHAFT CONEXION EJE	1				
3	64E-43868-00	O-RING ANILLO EN O 8	1				
4	64E-43830-00	GEAR PUMP ASSY ENGRANAJE BOMBA COMPL.	1				
5	72X-43858-00	.BALL .ESFERA	2				
6	64E-43843-00	.SCREW, VALVE LOCK .TORNILLO	4				
7	64E-43841-00	.PISTON, SHUTTLE .PISTON	2				
8	64E-43802-00	.VALVE SUB ASSY .VALVULA PRINCIPAL COMPL.	2				
9	6E5-43896-00	..O-RING ..ANILLO EN O	1				
10	6G5-43863-00	.O-RING ANILLO EN O 3	1				
11	64E-43851-00	.SEAT, RELIEF VALVE .ASIENTO VALVULA DE DESCARGA	1				
12	64E-43858-00	BALL .ESFERA	1				
13	64E-43859-00	.PIN, VALVE SUPPORT .PASADOR VALVULA SOPORTE	1				
14	64E-43855-00	.SPRING, UP RELIEF .RESORTE SEGURIDAD SUPERIOR	1				
15	64E-43850-00	.VALVE SUB ASSY .VALVULA COMPL.	1				
16	64E-43865-00	.O-RING ANILLO EN O 5	1				
17	64E-43816-00	.FILTER 1 FIELTRO 1	2				
18	64E-43858-00	.BALL .ESFERA	2				
19	64E-43817-10	FILTER 2 FIELTRO 2	1				
20	64E-43860-00	MANUAL VALVE SUB-ASSY VALVULA SUB-COMPL.	1				
21	72X-85075-L0	.O-RING ANILLO EN O 5	1				
22	64E-43827-00	.RING SET .ESFERA	1				
23	64E-4387A-00	..O-RING ..ANILLO O	1				
24	64E-43873-00	..RING, BACK UP ..ANILLO	1				
25	64E-43875-00	RING, SNAP ANILLO	1				
26	64E-43879-10	SCREW, WITH WASHER TORNILLO CON RONDANA	1				
27	64E-43879-00	SCREW, WITH WASHER TORNILLO CON RONDANA	2				

FIG. 18 POWER TRIM & TILT ASSY 2 COMPONER Y PODER VARILLA 2

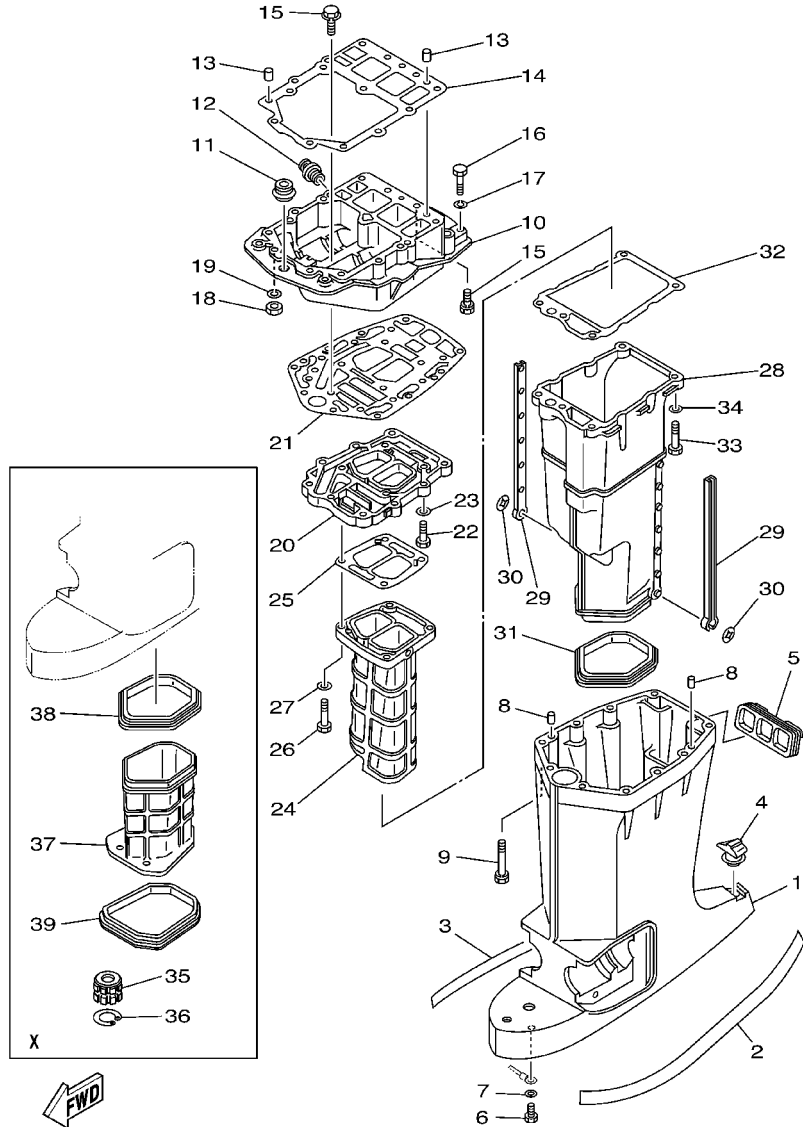


60C1200-1211

REF. NO.	PART NO. CODIGO NO.	DESCRIPTION DESCRIPTION	225D				REMARKS OBSERVACION
28	64E-43880-01	MOTOR ASSY MOTOR COMPL.	1				
29	6H1-4386K-10	.SPRING, BRUSH .RESORTE, ESCOBILLA	2				
30	64E-4380J-00	.HOLDER, BRUSH .PORTAESCOBILLA	1				
31	64E-43891-00	.BRUSH 1 .ESCOBILLA 1	1				
32	97607-04310	.SCREW, WITH WASHER .TORNILLO CAB CON PLANA C/ARAN	2				
33	64E-4380F-00	.HOLDER, BRUSH 2 .PORTAESCOBILLA 2	1				
34	64E-43892-00	.BRUSH 2 .ESCOBILLA 2	1				
35	6G5-43865-00	.O-RING .ANILLO EN O 5	1				
36	93102-08M43	.OIL SEAL .RETEN DE ACEITE	1				
37	64E-43805-00	.ARMATURE ASSY .INDUCIDO COMPL.	1				
38	64E-43843-10	.SCREW, VALVE LOCK .TORNILLO	3				

FIG. 19 UPPER CASING

FUNDA SUPERIOR

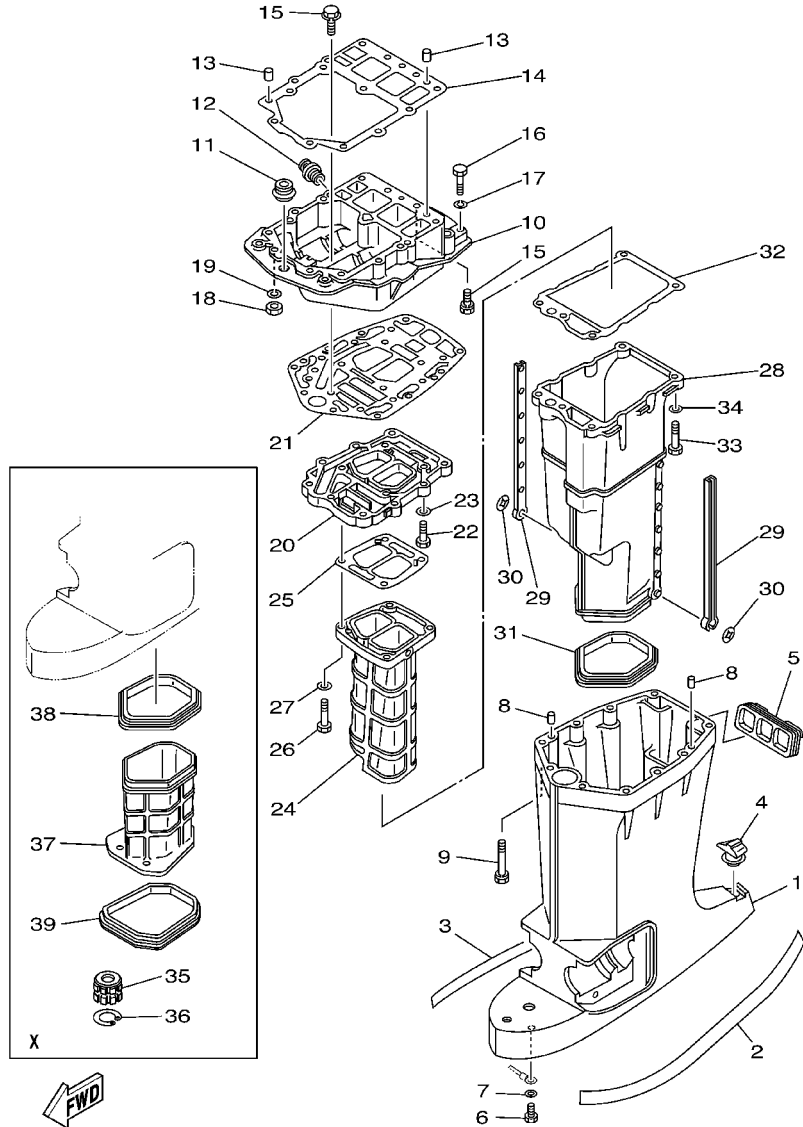


64D1010-2200

REF. NO.	PART NO. CODIGO NO.	DESCRIPTION DESCRIPTION	225D				REMARKS OBSERVACION
1	6E5-45111-02-8D	CASING, UPPER CAJA SUPERIOR	1				L
	6E5-45111-23-8D	CASING, UPPER CAJA SUPERIOR	1				X
2	6R3-42791-41	MARK 1 MARCA 1	1				
3	6R3-42792-41	MARK MARCA	1				
4	6E5-45155-00	CAP TAPA	1				
5	6E5-42769-00	SEAL, RUBBER SELLO DE GOMA	1				
6	97095-06010	BOLT PERNO	1				
7	92995-06600	WASHER ARANDELA	1				
8	93608-12M05	PIN, DOWEL PASADOR DE CLAVIJA	2				
9	90119-08027	BOLT, WITH WASHER TORNILLO CON ARANDELA	6				
10	6G5-41137-02-94	GUIDE, EXHAUST GUIA DE ESCAPE	1				
11	6E5-42724-00	GROMMET TAPON	1				
12	6G5-12581-00	JOINT, HOSE 1 CONEXION	1				
13	93608-12M05	PIN, DOWEL PASADOR DE CLAVIJA	2				
14	6G5-45113-A1	GASKET, UPPER CASING EMPAQUE	1				
15	90119-08M79	BOLT, WITH WASHER TORNILLO CON ARANDELA	6				
16	97095-08045	BOLT PERNO	2				
17	92995-08100	WASHER ARANDELA	2				
18	95380-08700	NUT TUERCA	2				
19	92995-08100	WASHER ARANDELA	2				
20	6G5-41131-01-5B	MANIFOLD, EXT. 1 TUBO MULTIPLE DE ESCAPE	1				
21	6G5-45114-A1	GASKET, UPPER CASING EMPAQUE	1				
22	97095-08030	BOLT PERNO	4				
23	92995-08600	WASHER ARANDELA	4				
24	64D-41132-00-5B	MANIFOLD, EXHAUST TUBO MULTIPLE DE ESCAPE	1				
25	6G5-41134-A1	GASKET, EXHAUST MANIFOLD EMPAQUE	1				
26	97095-08045	BOLT PERNO	4				

FIG. 19 UPPER CASING

FUNDA SUPERIOR

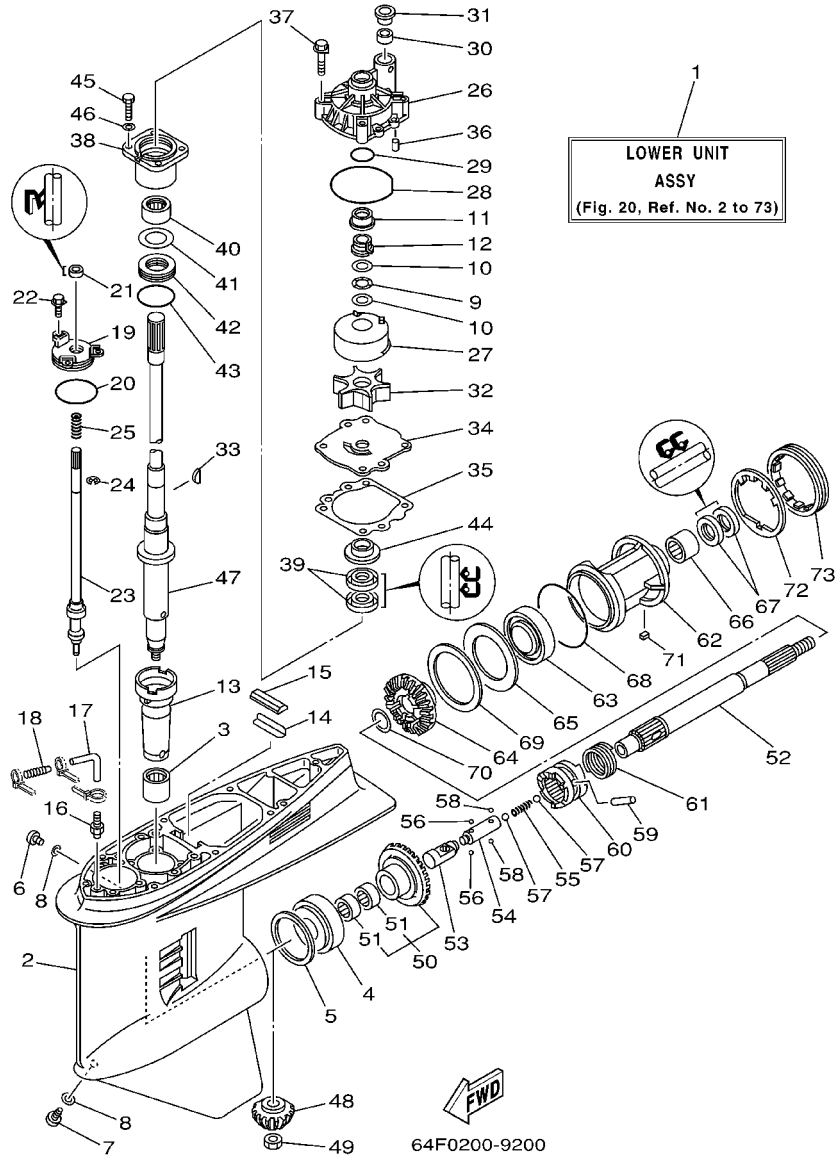


64D1010-2200

REF. NO.	PART NO. CODIGO NO.	DESCRIPTION DESCRIPTION	225D				REMARKS OBSERVACION
27	92995-08600	WASHER ARANDELA	4				
28	6E5-14711-01-5B	MUFFLER 1 SILENCIADOR 1	1				
29	6E5-14737-00	DAMPER, MUFFLER AMORTIGUADOR DE SILENCIADOR	2				
30	90183-05M02	NUT, SPRING TUERCA DE RESORTE	2				
31	6E5-45123-00	GASKET, MUFFLER EMPAQUE SILENCIADOR	1				
32	6E5-41135-A0	GASKET, EXHAUST MANIFOLD EMPAQUE	1				
33	97095-08045	BOLT PERNO	5				
34	92995-08600	WASHER ARANDELA	5				
35	6E5-45318-00	BUSHING, DRIVE SHAFT BUJE, EJE DE MANDO	1				X
36	93420-36M01	CIRCLIP BOLA	1				X
37	64D-14721-20-5B	MUFFLER 2 SILENCIADOR 2	1				X
38	64D-45123-00	GASKET, MUFFLER EMPAQUE SILENCIADOR	1				X
39	64D-45375-00	DAMPER, SEAL GOMA DE SELLO	1				X

FIG. 20 LOWER CASING. DRIVE 1

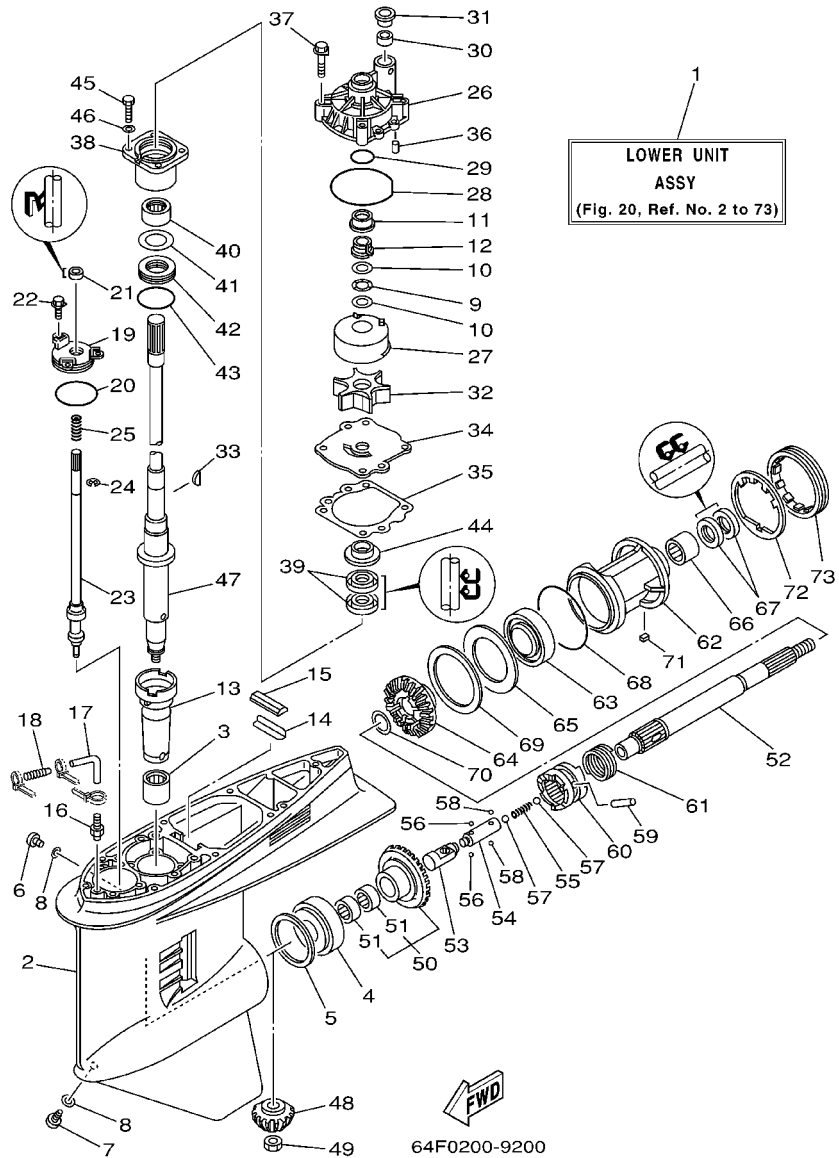
IMPULSOR E INFERIOR 1



REF. NO.	PART NO. CODIGO NO.	DESCRIPTION DESCRIPTION	225D				REMARKS OBSERVACION
1	64F-45300-02-8D	LOWER UNIT ASSY CONJUNTO UNIDAD INFERIOR	1				L
	64F-45300-22-8D	LOWER UNIT ASSY CONJUNTO UNIDAD INFERIOR	1				X
2	6J9-45301-05-8D	CASING, LOWER FUNDA INFERIOR COMPLETA	1				
3	93311-928U5	BEARING COJINETE DE RODILLOS	1				
4	93332-000V3	BEARING COJINETE DE RODILLOS AHUSADO	1				
5	6G5-45567-01-10	SHIM (T:0.10MM) LAINA (T:0.10MM)	1				UR
	6G5-45567-01-12	SHIM (T:0.12MM) LAINA (T:0.12MM)	1				UR
	6G5-45567-01-15	SHIM (T:0.15MM) LAINA (T:0.15MM)	1				UR
	6G5-45567-01-18	SHIM (T:0.18MM) LAINA (T:0.18MM)	1				UR
	6G5-45567-01-30	SHIM (T:0.30MM) LAINA (T:0.30MM)	1				UR
	6G5-45567-01-40	SHIM (T:0.40MM) LAINA (T:0.40MM)	1				UR
	6G5-45567-01-50	SHIM (T:0.50MM) LAINA (T:0.50MM)	1				UR
6	90340-08002	PLUG, STRAIGHT SCREW TORNILLO, DE DRENAJE	1				
7	688-45341-10	PLUG, DRAIN TAPON, DREN	1				
8	90430-08020	GASKET JUNTA	2				
9	90206-22M19	WASHER, WAVE ARANDELA ONDULADA	1				
10	90201-22M01	WASHER, PLATE ARANDELA PLANA	2				
11	61A-45527-00	COLLAR, DRIVE SHAFT COLLAR EJE FLECHA DE PROPULSION	1				
12	61A-45538-00	SPACER 1 ESPACIADOR 1	1				
13	6G5-45536-01	SLEEVE, DRIVE SHAFT CAMISA EJE DE MANDO	1				
14	663-45376-00-94	GUIDE, SEAL DAMPER GUIA DE SELLO GOMA	1				L
	64D-45376-00-94	GUIDE, SEAL DAMPER GUIA DE SELLO GOMA	1				X
15	688-45375-00	DAMPER, SEAL GOMA DE SELLO	1				
16	6E5-45378-00	NIPPLE, HOSE NIPLE MANGUERA	1				
17	90445-07ME8	HOSE (L80) TUBO (L80)	1				L
	90445-07ME9	HOSE (L120) TUBO (L120)	1				X
18	6E5-83558-10	END, NIPPLE EXTREMO DE NIPLE	1				

FIG. 20 LOWER CASING. DRIVE 1

IMPULSOR E INFERIOR 1



REF. NO.	PART NO. CODIGO NO.	DESCRIPTION DESCRIPTION	225D				REMARKS OBSERVACION
19	6E5-45321-00	PLATE PLACA	1				
20	93210-58144	O-RING JUNTA TORICA	1				
21	93106-09014	OIL SEAL RETEN DE ACEITE	1				
22	90119-06M10	BOLT, WITH WASHER TORNILLO CON ARANDELA	3				
23	6G5-44150-02	SHIFT CAM ASSY CONJUNTO EJE LEVA COMPL.	1				
24	99001-08600	CIRCLIP PRESILLA REDONDA	1				
25	90501-11M10	SPRING, COMPRESSION RESORTE DE COMPRESION	1				
26	61A-44311-01	HOUSING, WATER PUMP CAJA BOMBA DE AGUA	1				
27	61A-44322-02	INSERT, CARTRIDGE CARTUCHO	1				
28	93210-86M38	O-RING JUNTA TORICA	1				
29	93210-37160	O-RING JUNTA TORICA	1				
30	6E5-44365-00	DAMPER, WATER SEAL HULE DE SELLO DE AGUA	1				
31	6E5-44312-00	COVER, WATER PUMP HOUSING CUBIERTA CAJA BOMBA DE AGUA	1				
32	6E5-44352-01	IMPELLER IMPULSOR	1				
33	90280-04M05	KEY, WOODRUFF CUNA WOODRUFF	1				
34	6G5-44323-00	OUTER PLATE, CARTRIDGE PLACA EXTERIOR DEL CARTUCHO	1				
35	6E5-44315-A0	GASKET, WATER PUMP EMPAQUE	1				
36	93606-12019	PIN, DOWEL PASADOR DE CLAVIJA	2				
37	90119-08M14	BOLT, WITH WASHER TORNILLO CON ARANDELA	4				
38	6E5-45331-00-94	HOUSING, BEARING CAJA DE COJINETE	1				
39	93101-28M16	OIL SEAL RETEN DE ACEITE	2				
40	93317-330U2	BEARING COJINETE DE RODILLOS	1				
41	6E5-45587-01-10	SHIM (T:0.10MM) LAINA (T:0.10MM)	1				UR
	6E5-45587-01-12	SHIM (T:0.12MM) LAINA (T:0.12MM)	1				UR
	6E5-45587-01-15	SHIM (T:0.15MM) LAINA (T:0.15MM)	1				UR
	6E5-45587-01-18	SHIM (T:0.18MM) LAINA (T:0.18MM)	1				UR
	6E5-45587-01-30	SHIM (T:0.30MM) LAINA (T:0.30MM)	1				UR



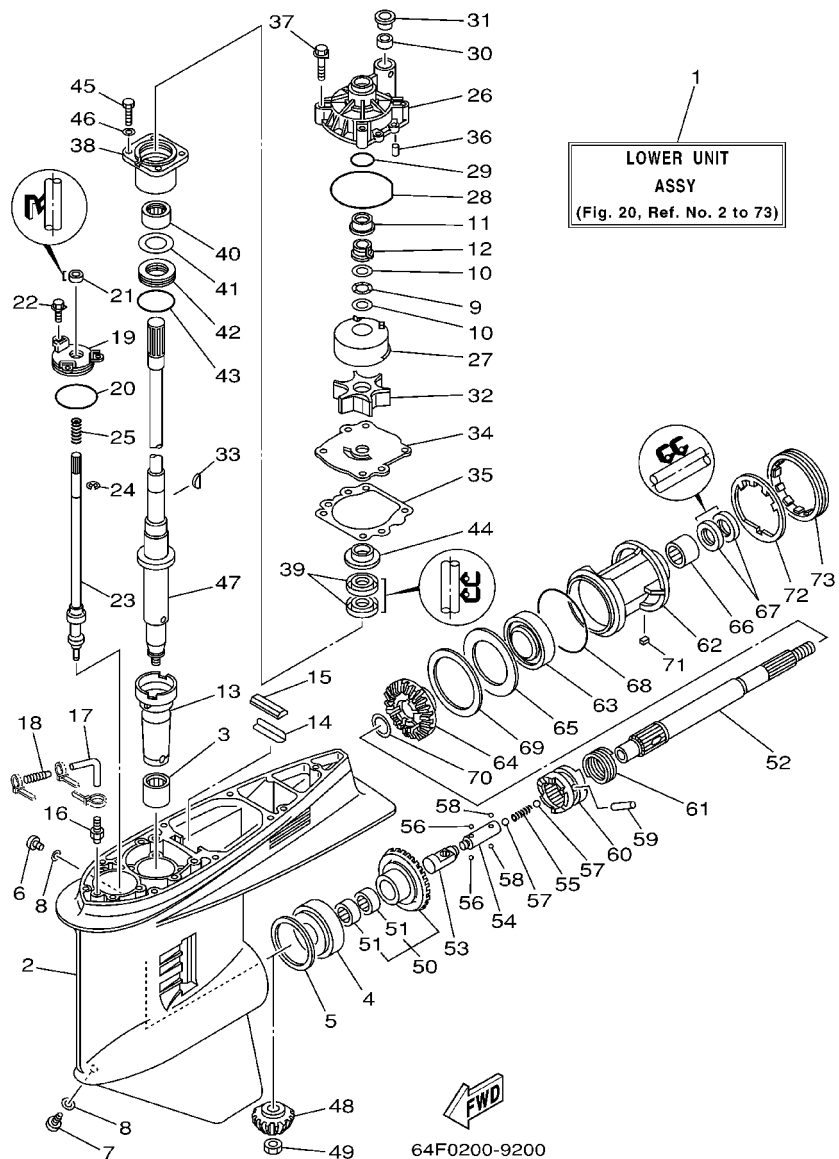


FIG. 20 LOWER CASING. DRIVE 1 IMPULSOR E INFERIOR 1

REF. NO.	PART NO. CODIGO NO.	DESCRIPTION DESCRIPTION	225D				REMARKS OBSERVACION
41	6E5-45587-01-40	SHIM (T:0.40MM) LAINA (T:0.40MM)	1				UR
	6E5-45587-01-50	SHIM (T:0.50MM) LAINA (T:0.50MM)	1				UR
42	93341-930V2	BEARING COJINETES CON RODAMIENTOS	1				
43	93210-55M14	O-RING JUNTA TORICA	1				
44	6E5-45344-00	COVER, OIL SEAL CUBIERTA SELLO ACEITE	1				
45	97095-08025	BOLT PERNO	4				
46	92995-08600	WASHER ARANDELA	4				
47	6G5-45501-01	DRIVE SHAFT COMP. EJE DE MANDO COMPL.	1				L
	6G5-45501-21	DRIVE SHAFT COMP. EJE DE MANDO COMPL.	1				X
48	61H-45551-00	PINION PINON	1				
49	90170-16M01	NUT TUERCA	1				
50	61H-45560-00	GEAR ENGRANE COMPLE 1	1				
51	93315-425V3	BEARING COJINETE DE RODILLOS	2				
52	6J9-45611-01	SHAFT, PROPELLER EJE PROPUSOR	1				
53	6E5-45641-02	SHIFTER CAMBIO	1				
54	6E5-45634-01	SLIDE, SHIF DESILIZADOR, CAMBIO	1				
55	90501-16M37	SPRING, COMPRESSION RESORTE DE COMPRESION	1				
56	93507-32009	BALL ESFERA	2				
57	93511-32017	BALL ESFERA	2				
58	93503-16003	BALL ESFERA	2				
59	90250-08M07	PIN, STRAIGHT PASADOR CILINDRICO	1				
60	6G5-45631-10	CLUTCH, DOG EMBRAGUE DE GARRA	1				
61	6E5-45633-01	RING, CROSS PIN ANILLO DE PASADOR	1				
62	6J9-45332-00-94	HOUSING, BEARING CAJA BALERO 2	1				
63	93306-209U0	BEARING COJINETE	1				
64	61H-45571-01	GEAR ENGRANAJE	1				
65	6G5-45576-10	WASHER, THRUST ARANDELA DE EMPUJE AXIAL	1				

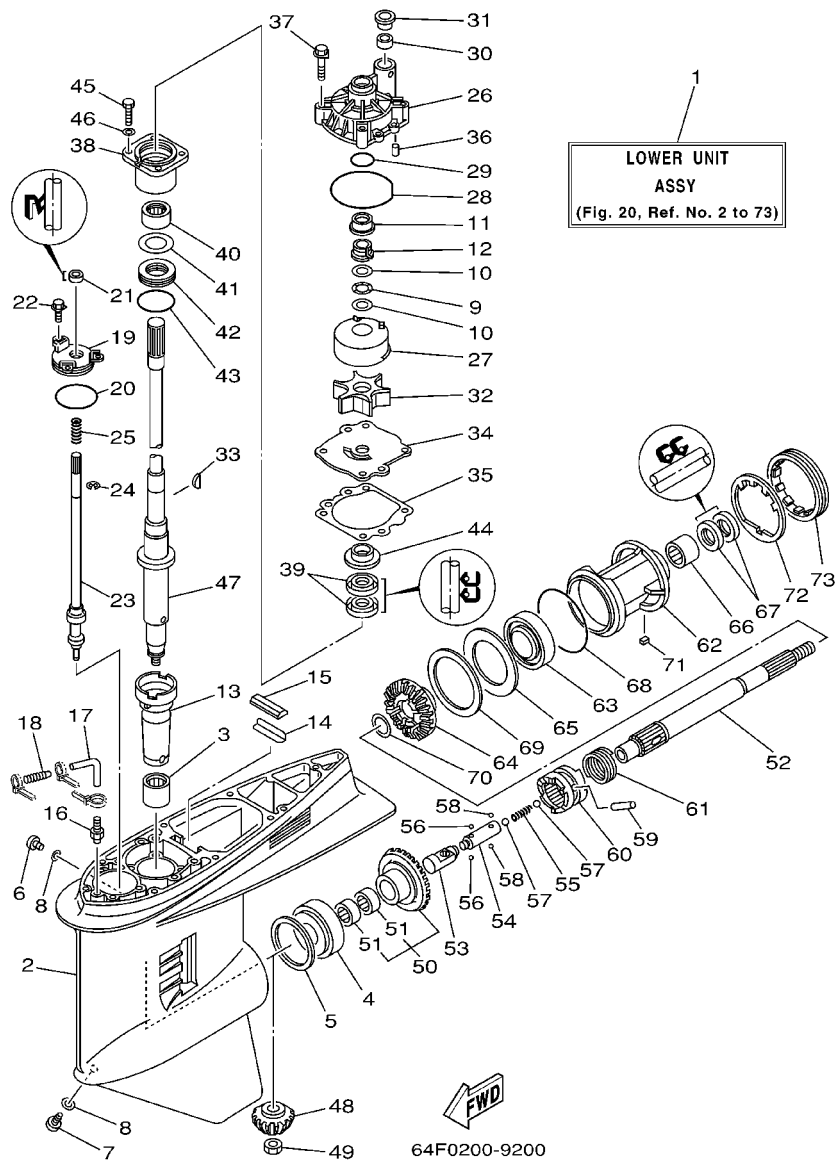
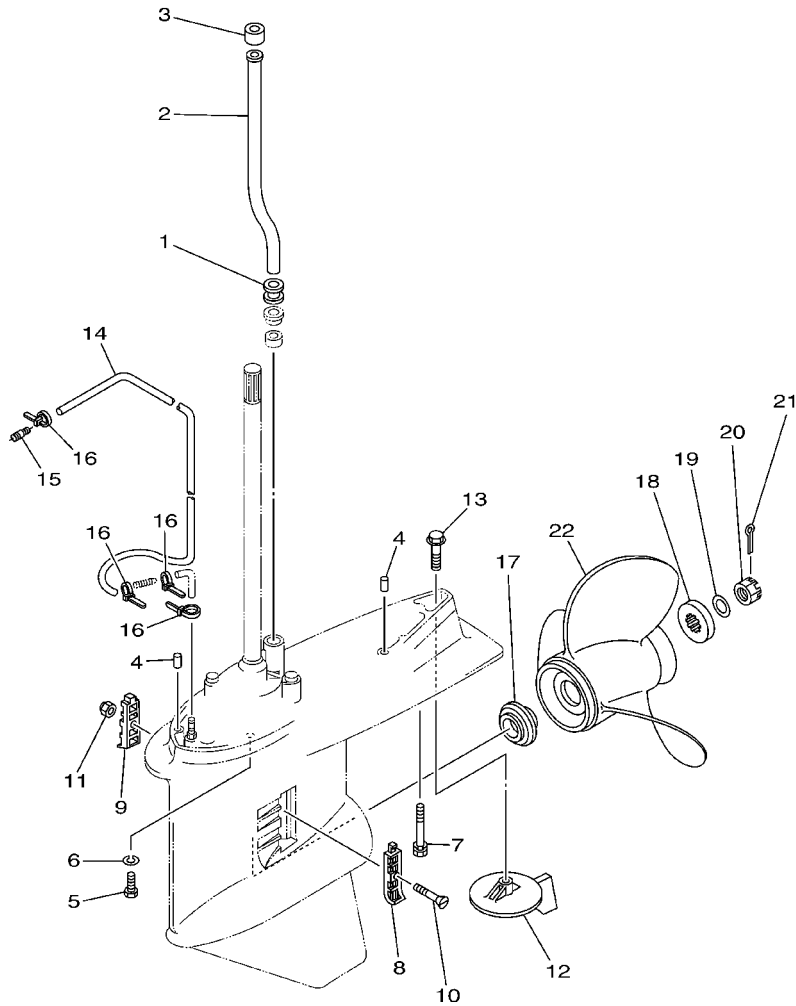


FIG. 20 LOWER CASING. DRIVE 1 IMPULSOR E INFERIOR 1

REF. NO.	PART NO. CODIGO NO.	DESCRIPTION DESCRIPTION	225D				REMARKS OBSERVACION
66	93315-430U8	BEARING COJINETE DE RODILLOS	1				
67	93101-30M17	OIL SEAL RETEN DE ACEITE	2				
68	93210-97M55	O-RING JUNTA TORICA	1				
69	6G5-45577-02-10	SHIM (T:0.10MM) LAINA (T:0.10MM)	1				UR
	6G5-45577-02-12	SHIM (T:0.12MM) LAINA (T:0.12MM)	1				UR
	6G5-45577-02-15	SHIM (T:0.15MM) LAINA (T:0.15MM)	1				UR
	6G5-45577-02-18	SHIM (T:0.18MM) LAINA (T:0.18MM)	1				UR
	6G5-45577-02-30	SHIM (T:0.30MM) LAINA (T:0.30MM)	1				UR
	6G5-45577-02-40	SHIM (T:0.40MM) LAINA (T:0.40MM)	1				UR
	6G5-45577-02-50	SHIM (T:0.50MM) LAINA (T:0.50MM)	1				UR
70	90201-30M92	WASHER, PLATE ARANDELA PLANA	1				
71	90282-04M00	KEY, STRAIGHT CHAVETA, RECTA	1				
72	6G5-45383-01	WASHER, CLAW ARANDELA DE UNA	1				
73	6G5-45384-00	NUT TUERCA	1				

FIG. 21 LOWER CASING. DRIVE 2

IMPULSOR E INFERIOR 2

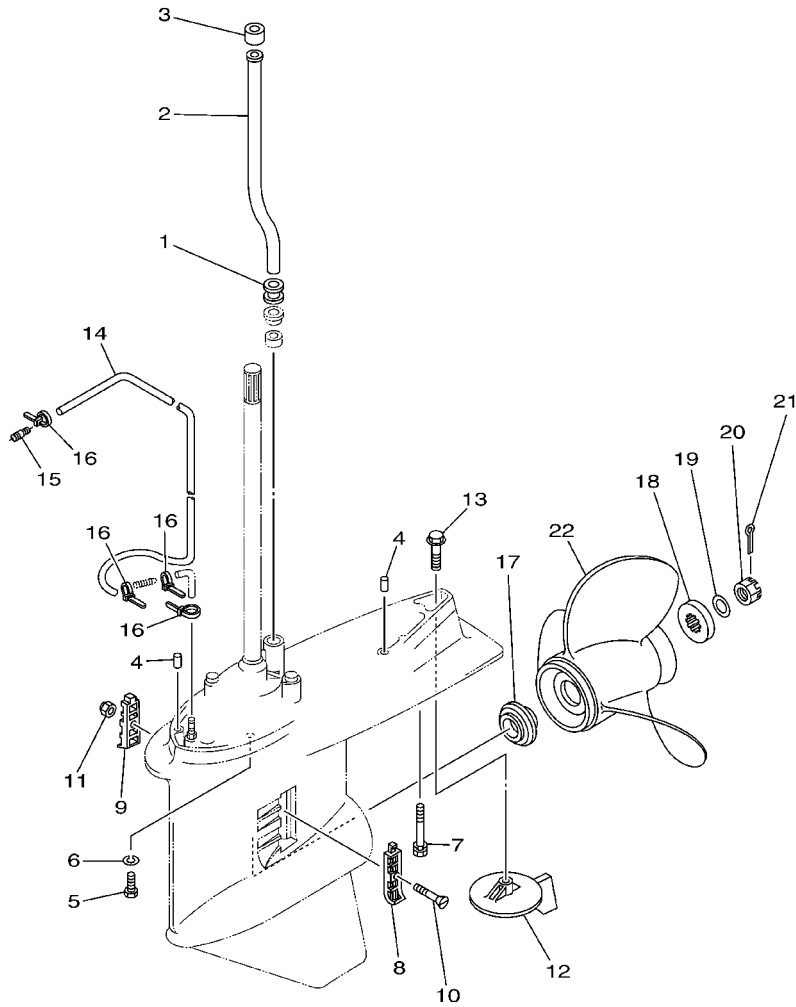


67H0010-9250

REF. NO.	PART NO. CODIGO NO.	DESCRIPTION DESCRIPTION	225D				REMARKS OBSERVACION
1	6E5-44366-00	DAMPER, WATER SEAL GOMA DEL SELLO DE AGUA	1				
2	6E5-44361-00	TUBE, WATER TUBO DE AGUA	1				L
	6E5-44361-20	TUBE, WATER TUBO DE AGUA	1				X
3	6E5-44365-00	DAMPER, WATER SEAL HULE DE SELLO DE AGUA	1				
4	93608-12M05	PIN, DOWEL PASADOR DE CLAVIJA	2				
5	97075-10045	BOLT PERNO	6				
6	92995-10100	WASHER ARANDELA	6				
7	90119-10M89	BOLT, WITH WASHER TORNILLO CON ARANDELA	1				
8	6J9-45214-00	COVER, WATER INLET CUBIERTA ENTRADA AGUA	1				
9	6J9-45215-00	COVER, WATER INLET CUBIERTA ENTRADA AGUA	1				
10	90152-05M08	SCREW, COUNTERSUNK TORNILLO EMBUTIDO	1				
11	90185-05002	NUT, SELF-LOCKING TUERCA AUTOBLOCANTE	1				
12	6J9-45371-01	TAB-TRIM QUILLA ESTABILIZADOR	1				
13	90105-10M00	BOLT, FLANGE TORNILLO	1				
14	90445-07M33	HOSE (L1080) TUBO (L1080)	1				
15	6E5-83558-00	END, NIPPLE EXTREMO DE NIPLE	1				
16	90465-11M10	CLAMP BRIDA	4				
17	6E5-45987-01	SPACER ESPACIADOR	1				
18	688-45997-01	SPACER ESPACIADOR	1				
19	92990-18200	WASHER ARANDELA PLANA	1				
20	90171-18M04	NUT, CASTLE TUERCA ENTALLADA	1				
21	91490-40030	PIN, COTTER CHAVETA	1				
22	6G5-45941-00-98	PROPELLER (3X15-1/4"X15"-M) PROPELA (3X15-1/4"X15"-M)	1				UR
	6G5-45943-01-98	PROPELLER (3X13-3/4"X21"-M) PROPELA (3X13-3/4"X21"-M)	1				UR
	6G5-45945-01-98	PROPELLER (3X14"X19"-M) PROPELA (3X14"X19"-M)	1				UR
	6G5-45947-01-98	PROPELLER (3X14-1/2"X17"-M) PROPELA (3X14-1/2"X17"-M)	1				UR
	6G5-45949-00-98	PROPELLER (3X13-1/2"X23"-M) PROPELA (3X13-1/2"X23"-M)	1				UR

FIG. 21 LOWER CASING. DRIVE 2

IMPULSOR E INFERIOR 2

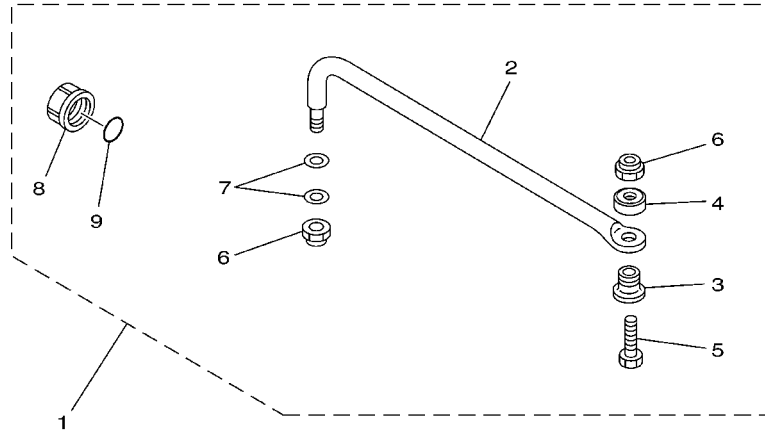


67H0010-9250

REF. NO.	PART NO. CODIGO NO.	DESCRIPTION DESCRIPTION	225D				REMARKS OBSERVACION
22	6G5-45952-00-98	PROPELLER (3X14-5/8"X16"-M) PROPELA (3X14-5/8"X16"-M)	1				UR
	6G5-45930-00-98	PROPELLER (3X13-3/8"X25"-M) PROPELA (3X13-3/8"X25"-M)	1				UR
	6G5-45932-00-98	PROPELLER (3X15-3/4"X13"-M) PROPELA (3X15-3/4"X13"-M)	1				UR
	6G5-45970-02-98	PROPELLER (3X15-1/4"X15"-M) PROPELA (3X15-1/4"X15"-M)	1				UR
	6G5-45972-02-98	PROPELLER (3X13-3/4"X21"-M) PROPELA (3X13-3/4"X21"-M)	1				UR
	6G5-45974-03-98	PROPELLER (3X13-3/4"X19"-M2) PROPELA (3X13-3/4"X19"-M2)	1				UR
	6G5-45976-01-98	PROPELLER (3X13-3/8"X23"-M) PROPELA (3X13-3/8"X23"-M)	1				UR
	6G5-45978-03-98	PROPELLER (3X13-3/4"X17"-M2) PROPELA (3X13-3/4"X17"-M2)	1				UR

FIG. 22 STEERING GUIDE

DIRECCIONGUIAR

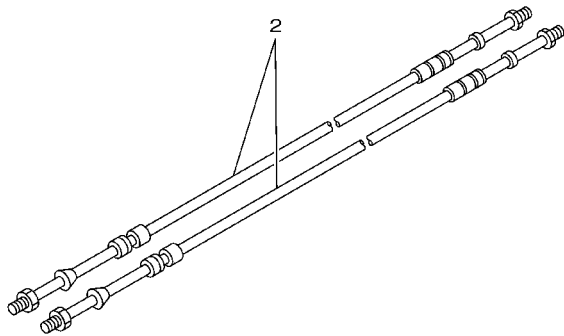
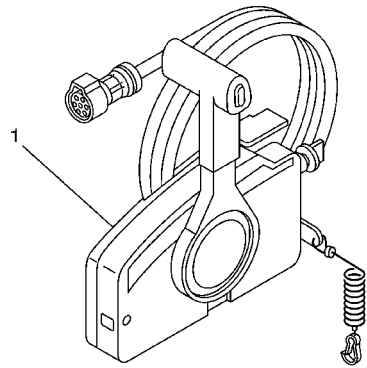


REF. NO.	PART NO. CODIGO NO.	DESCRIPTION DESCRIPTION	225D				REMARKS OBSERVACION
1	6E5-61350-02	STEERING GUIDE ATTACHMENT KIT ESTUCHE ADITAMENTO GUIA DE TIM	1				AP
2	6E5-61351-01	.ROD, STEERING LINK .VARILLA ESLABON DIRECCION	1				
3	90387-10M61	.COLLAR .COLLAR	1				
4	90560-12M01	.SPACER .SEPARADOR	1				
5	6E5-61355-00	.BOLT .TORNILLO	1				
6	90185-09M01	.NUT, SELF-LOCKING .TUERCA AUTOBLOCANTE	2				
7	90201-10M20	.WASHER, PLATE .ARANDELA PLANA	2				
8	6E5-43145-01	.CAP, CLAMP BRACKET .TAPA	1				
9	93210-16275	.O-RING .JUNTA TORICA	1				

67H0100-9290

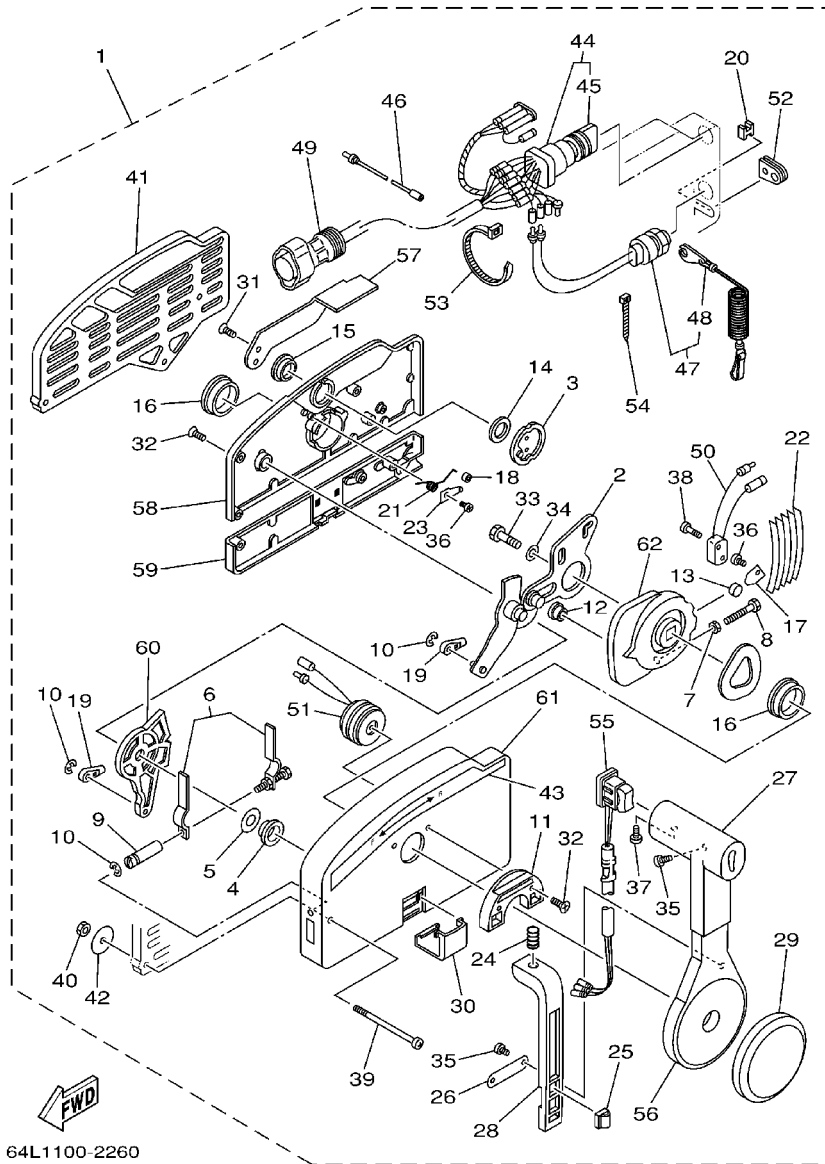
FIG. 23 REMOTE CONTROL BOX

CONTROL REMOTO COMPL.



REF. NO.	PART NO. CODIGO NO.	DESCRIPTION DESCRIPTION	225D				REMARKS OBSERVACION
1	703-48205-17	REMOTE CONTROL ASSY REMOTO CONTROL COMPL.	1				AP WITH PT/T SW.
2	701-48320-80	CABLE, REMOTE CONTROL L=17F CABLE CONTROL REMOTO L=17F	2				

 67M0100-8280

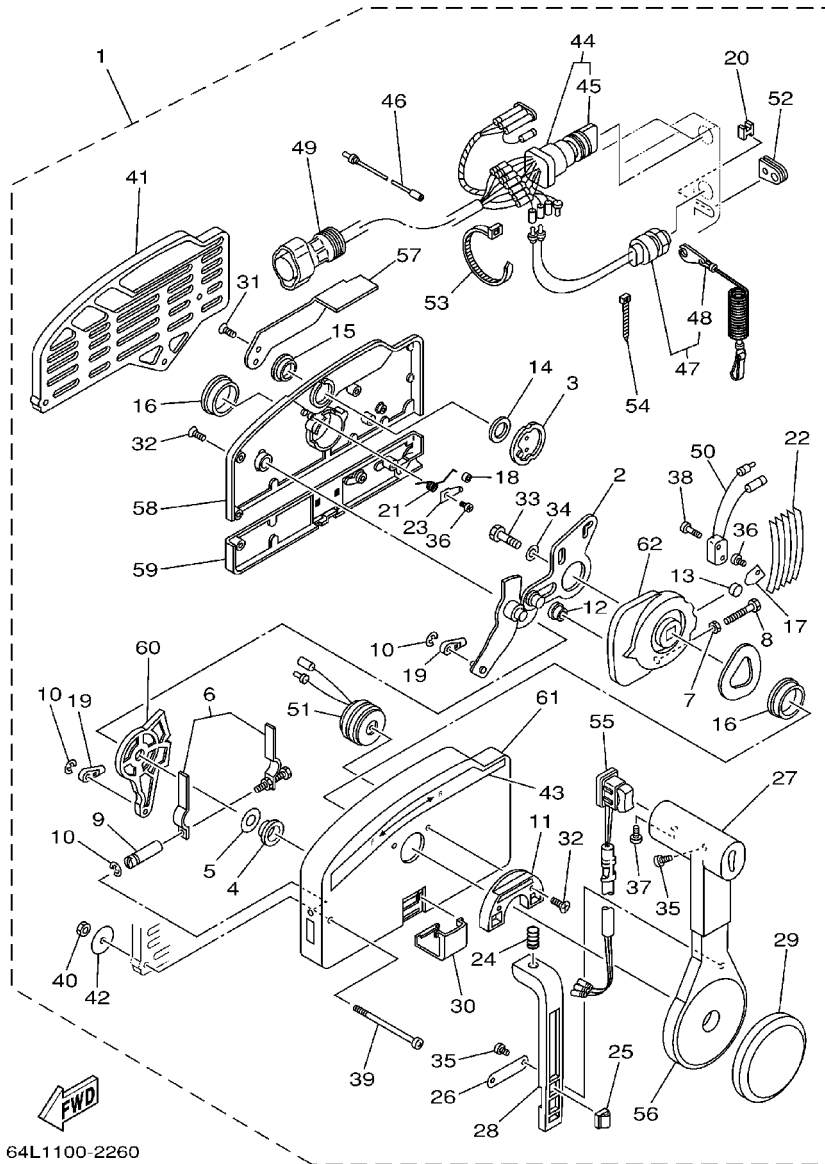


64L1100-2260

FIG. 24 REMOTE CONTROL ASSY CONTROL REMOTO COMPL.

REF. NO.	PART NO. CODIGO NO.	DESCRIPTION DESCRIPTION	225D				REMARKS OBSERVACION
1	703-48205-17	REMOTE CONTROL ASSY REMOTO CONTROL COMPL.	1				AP WITH PT/T SW.
2	703-48261-01	.ARM, THROTTLE .BRAZO ACELERADOR	1				
3	703-48153-00	.SHAFT, FREE ACCEL. .EJE	1				
4	703-48235-00	.BUSHING .BUJE	1				
5	703-48268-00	.SPACER .ESPACIADOR.3	1				
6	703-48264-00	.THROTTLE, FRICTION .FRICCION ACELERADOR	1				
7	95380-05600	.NUT .TUERCA	1				
8	97380-05025	.BOLT .TORNILLO HEXAGONAL	1				
9	703-48265-00	.SHAFT, FRICTION .EJE FRICCION	1				
10	93430-06024	.CIRCLIP .SEGURO	3				
11	703-48245-00	.PLATE, LOCK .PLACA CERRADURA	1				
12	703-48252-00	.ROLLER, CAM .RODILLO LEVA	1				
13	701-48248-00	.ROLLER, FREE ACCEL. .RODILLO ACELERADOR LIBRE	1				
14	703-48198-00	.WASHER, WAVE .RONDANA ONDULADA 3	1				
15	703-48243-00	.BUSHING .BUJE 3	1				
16	703-48236-00	.BUSHING 1 .BUJE	2				
17	703-48189-00	.RETAINER .RETENEDOR	1				
18	703-48234-00	.ROLLER, DETENT .RODILLO	1				
19	703-48345-01	.CABLE END, REMOTE CONTROL 2 .TERMINAL CABLE DE CONTROL REM	2				
20	703-48358-00	.ANCHOR, CABLE .ABRAZADERA CABLE	1				
21	703-48244-00	.SPRING, FREE ACCEL. .RESORTE ACELERADOR LIBRE	1				
22	703-48238-00	.SPRING, DETENT .RESORTE	5				
23	703-48246-00	.SPACER .ESPACIADOR	1				
24	703-48227-00	.SPRING, NEUTRAL LOCK .RESORTE DE SEGURO	1				
25	703-82594-00	.CLAMP .GRAMPA	1				WITH PT/T SW.
26	703-48226-00	.PLATE, STOPPER .PLACA RETEN	1				
27	703-48222-00	.GRIP, CONTROL LEVER .MANGO DE PALANCA CONTROL	1				SINGLE

B1



64L1100-2260

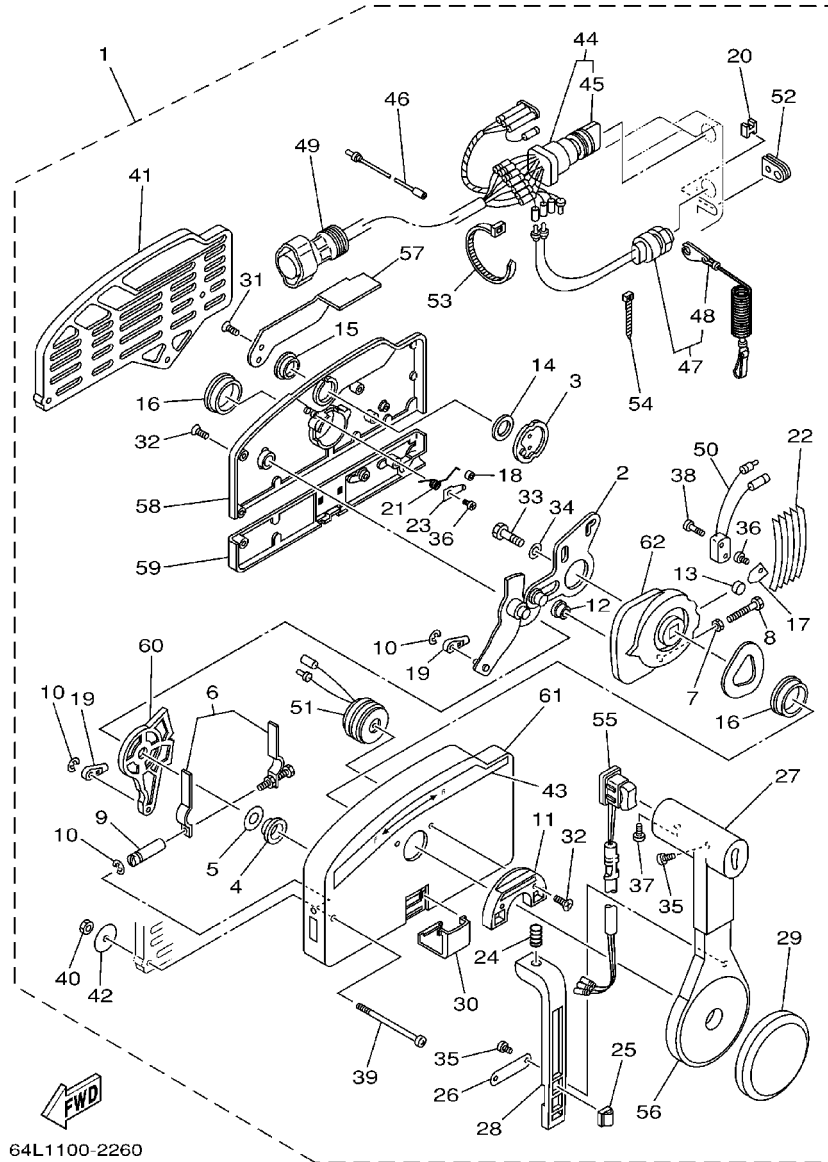
FIG. 24 REMOTE CONTROL ASSY CONTROL REMOTO COMPL.

REF. NO.	PART NO. CODIGO NO.	DESCRIPTION DESCRIPTION	225D				REMARKS OBSERVACION
28	703-48223-00	.LOCK, NEUTRAL .GERRADURA NEUTRO	1				
29	703-48225-00	.COVER .CUBIERTA	1				
30	703-48219-00	.COVER, LEAD .CUBIERTA	1				
31	703-48281-00	.SCREW .TORNILLO 1	2				
32	703-48282-00	.SCREW .TORNILLO 2	7				
33	97380-08030	.BOLT .TORNILLO HEXAGONAL	1				
34	92990-08600	.WASHER, PLATE .ARANDELA PLANA	1				
35	98580-04010	.SCREW, PAN HEAD .TORNILLO DE CABEZA CRUZADA	3				
36	98580-04006	.SCREW, PAN HEAD .TORNILLO DE CABEZA CRUZADA	2				
37	98580-05010	.SCREW, PAN HEAD .TORNILLO DE CABEZA CRUZADA	1				
38	98580-03015	.SCREW, PAN HEAD .TORNILLO DE CABEZA CRUZADA	2				
39	703-48291-10	.SCREW (M6) .TORNILLO (M6)	3				
40	95380-06600	.NUT, HEXAGON .TUERCA	3				
41	703-48293-10	.SPACER, REMOTE CONTROL .ESPACIADOR	1				SINGLE
42	701-48287-00	.WASHER .ARANDELA	3				
43	703-48215-00	.GRAPHIC .CALCOMANIA 1	1				
44	703-82510-43	.MAIN SWITCH ASSY .CONJUNTO DE LLAVE IGNICION	1				
45	703-82577-00	.CAP, KEY .TAPA	1				
46	703-82531-00	.WIRE, LEAD .CABLE CONDUCTOR	1				
47	688-82575-01	.ENGINE STOP SWITCH ASSY .INTERRUPTOR DE PARADA COMPL	1				
48	682-82556-00	.STOPPER .RETENER	1				
49	688-8258A-20	.EXTENSION, WIRE HARNESS .EXTENSION, ARNES DE CABLES	1				L:5M (10P)
50	703-82540-00	.NEUTRAL SWITCH ASSY .INTERRUPTOR NEUTRAL COMPL	1				
51	703-83383-02	.BUZZER .ZUMBADOR	1				
52	703-48284-00	.GROMMET .TAPON 1	1				
53	703-82591-00	.BAND .BANDA	1				
54	703-82592-00	.BAND .BANDA	1				



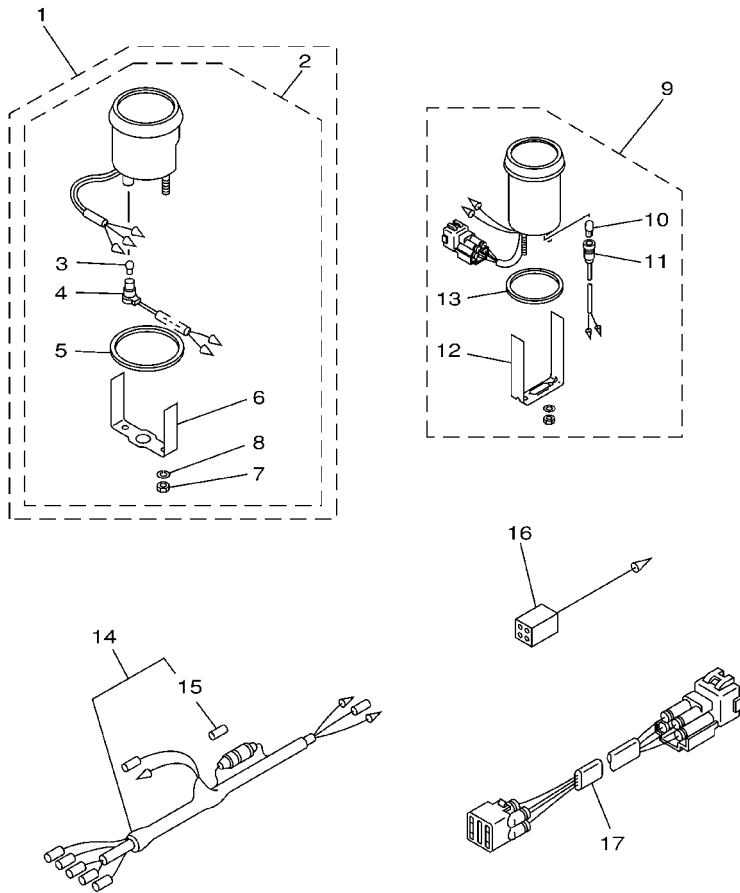
FIG. 24 REMOTE CONTROL ASSY

CONTROL REMOTO COMPL.



64L1100-2260

REF. NO.	PART NO. CODIGO NO.	DESCRIPTION DESCRIPTION	225D				REMARKS OBSERVACION
55	703-82563-02	.TRIM & TILT SWITCH ASSY .INTERRUPTOR DE INCLINACION	1				WITH PT/T SW.
56	703-48221-00	.LEVER, CONTROL .PALANCA CONTROL	1				
57	703-48152-00	.KNOB, FREE ACCEL. .PERILLA	1				
58	703-48212-00	.BACK PLATE 1 .PLACA TRASERA 1	1				
59	703-48213-00	.BACK PLATE 2 .PLACA TRASERA 2	1				
60	703-48271-00	.ARM, SHIFT .BRAZO CAMBIADOR	1				
61	703-48211-01	.HOUSING,1 .CAJA	1				
62	703-48232-00	.GEAR .ENGRANAJE 1	1				



64F0200-0250

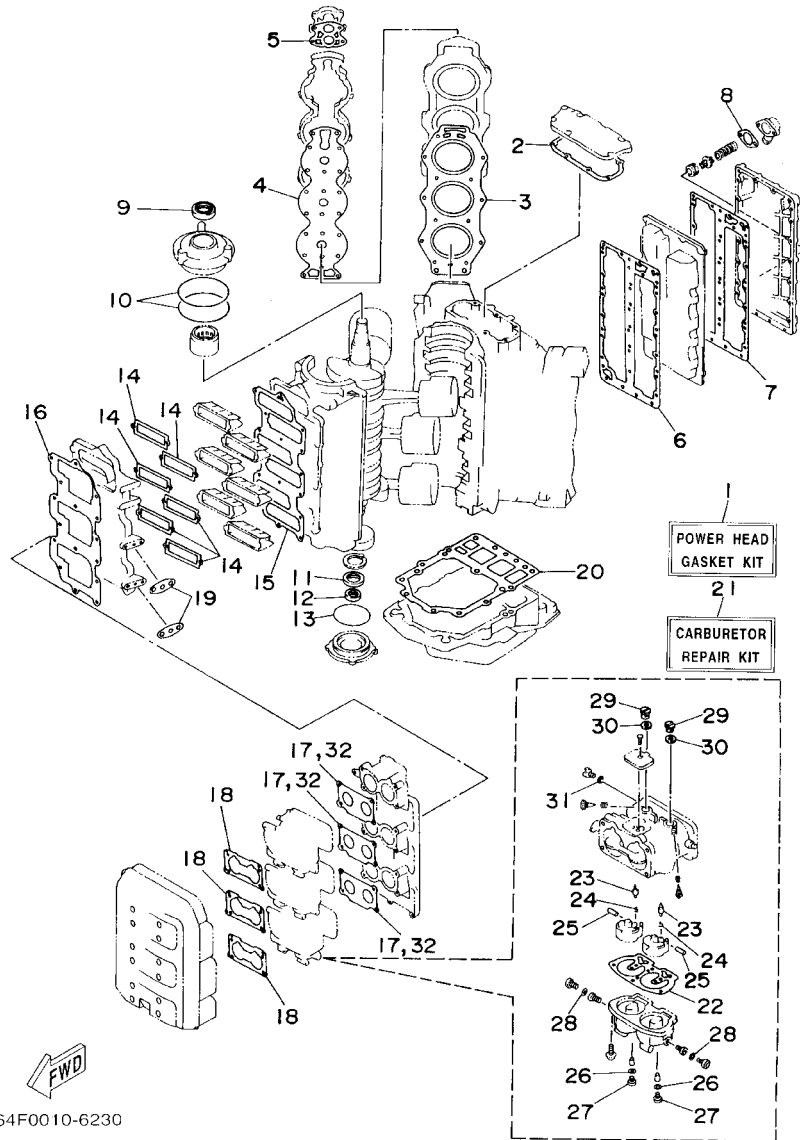
FIG. 25 METER

MEDIDOR

REF. NO.	PART NO. CODIGO NO.	DESCRIPTION DESCRIPTION	225D				REMARKS OBSERVACION
1	6Y5-W0080-12	TACHOMETER KIT JUEGO DE TACOMETRO	1				AP
2	6Y5-83540-14	.TACHOMETER ASSY .TACOMETRO COMPLETO	1				WITHOUT OIL LAMP
3	6Y5-83517-00	..BULB (12V-1.7W, T10) ..BOMBILLA (12V-1.7W, T10)	1				
4	6Y5-83536-10	..SOCKET, METER ..ENCASTRE DE MEDIDOR	1				
5	6Y5-83523-00	..DAMPER ..AMORTIGUADOR	1				
6	6Y5-83514-00	..PLATE, FITTING ..PLACA ACCESORIA	1				
7	95380-05600	..NUT ..TUERCA	2				
8	92990-05100	..WASHER, SPRING ..ARANDELA GROWER	2				
9	6Y5-83670-12	TRIM METER ASSY. MEDIDOR DE INCLINACION	1				AP
10	6Y5-83518-00	..BULB (12V-1.7W, T6.5) ..BOMBILLA (12V-1.7W, T6.5)	1				
11	6Y5-83536-00	..SOCKET, METER ..ENCASTRE DE MEDIDOR	1				
12	6Y5-83544-00	..PLATE, FITTING ..PLACA ACCESORIA	1				
13	688-83664-00	..DAMPER ..AMORTIGUADOR	1				
14	6Y5-83553-00	WIRE, LEAD CABLE CONDUCTOR	1				AP
15	1E6-82151-00	..FUSE (10A) ..FUSIBLE (10A)	1				
16	6Y5-82117-00	WIRE, LEAD (BLACK) CABLE, CONDUCTOR (NEGRO)	1				AP
17	6R3-82553-70	EXTENSION, WIRE LEAD CABLE	1				AP 4P,7M

FIG. 26 REPAIR KIT 1

ESTUCHE REPARATION 1



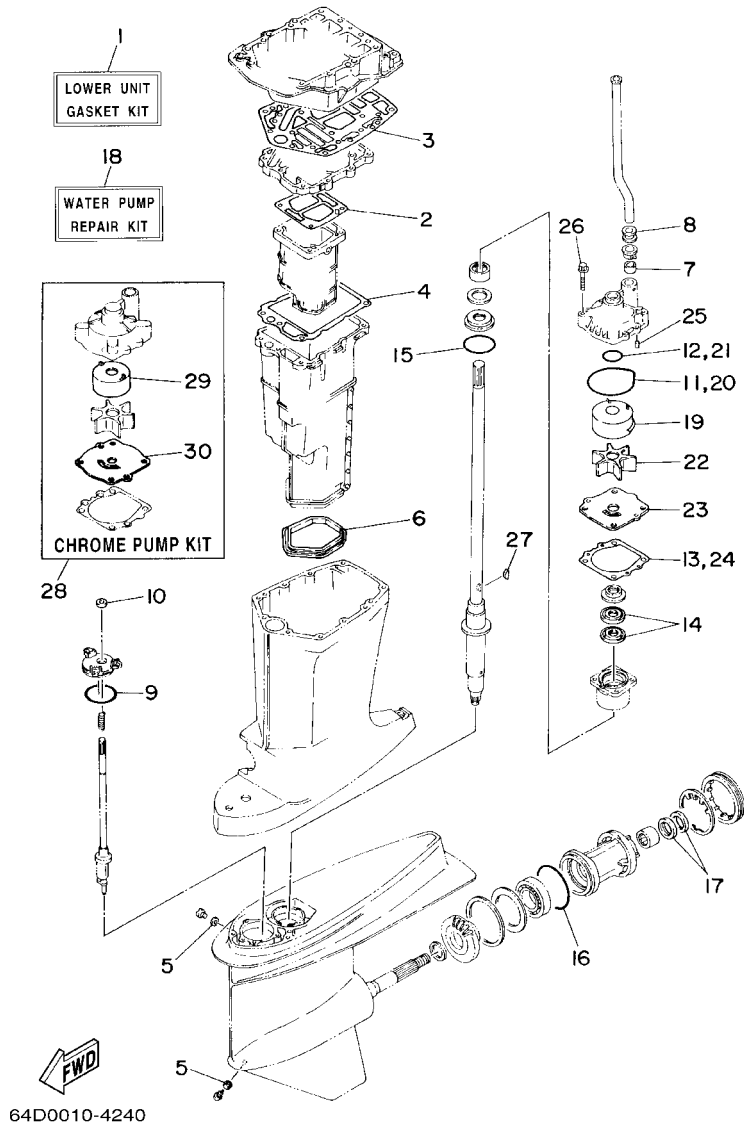
64F0010-6230

REF. NO.	PART NO. CODIGO NO.	DESCRIPTION DESCRIPTION	225D				REMARKS OBSERVACION
1	64F-W0001-00	POWER HEAD GASKET KIT JUEGO DE EMPAQUE UNIDAD INFER.	1				
2	6E5-11381-A2	.GASKET 1 EMPAQUE 1	1				
3	6G5-11181-A2	.GASKET, CYLINDER HEAD 1 JUNTA, DE CULATA 1	2				
4	6G5-11193-A0	.GASKET, HEAD COVER 1 EMPAQUE	2				
5	688-12414-A1	.GASKET, COVER EMPAQUE	2				
6	6G5-41112-A1	.GASKET, EXHAUST INNER COVER EMPAQUE	1				
7	6G5-41114-A0	.GASKET, EXHAUST OUTER COVER EMPAQUE	1				
8	6G5-11382-A1	.GASKET 2 EMPAQUE 2	1				
9	93102-40M14	.OIL SEAL .RETEN DE ACEITE	1				
10	93211-04001	.O-RING .ANILLO EN O	2				
11	93102-35M13	.OIL SEAL .RETEN DE ACEITE	1				
12	93101-22M15	.OIL SEAL .RETEN DE ACEITE	1				
13	93210-74M35	.O-RING .JUNTA TORICA	1				
14	6K7-13621-A1	.GASKET, VALVE SEAT JUNTA, DE VALV.DE EMPAQUE	6				
15	6K7-13646-A2	.GASKET, MANIFOLD 2 EMPAQ. DE MULTIPLE 2	1				
16	64E-13645-A0	.GASKET, MANIFOLD 1 EMPAQUE	1				
17	6E5-14198-A2	.GASKET EMPAQUE	3				
18	6K7-14483-00	.GASKET EMPAQUE	3				
19	650-24431-A0	.GASKET, FUEL PUMP 1 EMPAQUE BOMBA COMBUST 1	2				
20	6G5-45113-A1	.GASKET, UPPER CASING EMPAQUE	1				
21	64D-W0093-01	CARBURETOR REPAIR KIT KIT REPARACION CARBURADOR	1				
22	64D-14384-01	.GASKET, FLOAT CHAMBER EMPAQUE DE CAMARA DE BOIA	1				
23	6E5-14546-00	.VALVE, NEEDLE .VALVULA DE AGUJA	2				
24	6E5-14159-00	.CLIP .PRESILLA	2				
25	6E5-14386-02	.PIN, FLOAT .PASADOR DE BOIA	2				
26	61U-14959-00	.GASKET EMPAQUE	2				
27	64D-14394-00	.VALVE, DRAIN .VALVULA DE DRENAJE	2				



FIG. 27 REPAIR KIT 2

ESTUCHE REPARATION 2



REF. NO.	PART NO. CODIGO NO.	DESCRIPTION DESCRIPTION	225D				REMARKS OBSERVACION
1	6G5-W0001-C1	LOWER UNIT GASKET KIT JUEGO DE EMPAQUE UNIDAD INFER	1				
2	6G5-41134-A1	.GASKET, EXHAUST MANIFOLD EMPAQUE	1				
3	6G5-45114-A1	.GASKET, UPPER CASING EMPAQUE	1				
4	6E5-41135-A0	.GASKET, EXHAUST MANIFOLD EMPAQUE	1				
5	90430-08020	.GASKET JUNTA	2				
6	6E5-45123-00	.GASKET, MUFFLER EMPAQUE SILENCIADOR	1				
7	6E5-44365-00	.DAMPER, WATER SEAL .HULE DE SELLO DE AGUA	1				
8	6E5-44366-00	.DAMPER, WATER SEAL .GOMA DEL SELLO DE AGUA	1				
9	93210-58144	.O-RING JUNTA TORICA	1				
10	93106-09014	.OIL SEAL .RETEN DE ACEITE	1				
11	93210-86M38	.O-RING JUNTA TORICA	1				
12	93210-37160	.O-RING JUNTA TORICA	1				
13	6E5-44315-A0	.GASKET, WATER PUMP EMPAQUE	1				
14	93101-28M16	.OIL SEAL .RETEN DE ACEITE	2				
15	93210-55M14	.O-RING JUNTA TORICA	1				
16	93210-97M55	.O-RING JUNTA TORICA	1				
17	93101-30M17	.OIL SEAL .RETEN DE ACEITE	2				
18	61A-W0078-A3	WATER PUMP REPAIR KIT ESTUCHE REPARACION BOMBA AGUA	1				
19	61A-44322-02	.INSERT, CARTRIDGE CARTUCHO	1				
20	93210-86M38	.O-RING JUNTA TORICA	1				
21	93210-37160	.O-RING JUNTA TORICA	1				
22	6E5-44352-01	.IMPELLER IMPULSOR	1				
23	6G5-44323-00	.OUTER PLATE, CARTRIDGE .PLACA EXTERIOR DEL CARTUCHO	1				
24	6E5-44315-A0	.GASKET, WATER PUMP EMPAQUE	1				
25	93606-12019	.PIN, DOWEL .PASADOR DE CLAVIJA	2				
26	90119-08M14	.BOLT, WITH WASHER .TORNILLO CON ARANDELA	4				
27	90280-04M05	.KEY, WOODRUFF .CUNA WOODRUFF	1				



NUMERICAL INDEX  
INDICE NUMERICO

PART NO. CODIGO NO.	REF. NO.	PART NO. CODIGO NO.	REF. NO.	PART NO. CODIGO NO.	REF. NO.	PART NO. CODIGO NO.	REF. NO.	PART NO. CODIGO NO.	REF. NO.	PART NO. CODIGO NO.	REF. NO.
6G5-W0001-C1	27 - 1	6R5-11650-10	3 - 22	6R5-14485-00	5 - 8	650-24431-A0	26 - 19	64F-42687-30	1 - 13	64E-43816-00	18 - 17
64F-W0001-00	26 - 1	6E5-12411-30	4 - 7	624-14485-00	2 - 4	6E5-24434-02	7 - 28	64D-42711-01-8D	13 - 1	64E-43817-00	17 - 5
6E5-W0004-00	5 - 2	688-12413-00-1S	4 - 8	64E-14488-00	9 - 22	6E5-24435-00	7 - 24	648-42715-00	14 - 51	64E-43817-10	18 - 19
64D-W0070-30	1 - 14	688-12414-A1	4 - 9	6E5-14527-01	6 - 26	6E5-24444-00	7 - 21	6E5-42716-10	13 - 40	64E-43818-01	17 - 32
61A-W0078-A3	27 - 18		26 - 5	6E5-14546-00	6 - 7	6E5-24471-00	7 - 23	64D-42717-00	13 - 36	64E-4382G-00	17 - 29
61A-W0078-2A	27 - 28	6G5-12416-00	4 - 18		26 - 23	61N-24521-00	7 - 7	6E5-42724-00	19 - 11	64E-43820-00	17 - 15
6Y5-W0080-12	25 - 1	6G5-12576-00	4 - 24	6E5-14711-01-5B	19 - 28	6R3-24560-00	7 - 5	64D-42725-00	13 - 19	64E-43821-00	17 - 16
64F-W0090-03-1S	2 - 1	6G5-12581-00	19 - 12	64D-14721-20-5B	19 - 37	61N-24563-00	7 - 6	688-42726-10	13 - 29	64E-43822-00	17 - 17
64D-W0093-01	26 - 21	6K7-13610-00	5 - 1	6E5-14737-00	19 - 29	648-24566-02	7 - 9	61A-42727-00	13 - 3	64E-43825-01	17 - 2
656-W2810-02	7 - 47	6K7-13621-A1	5 - 3	64D-1492E-75	6 - 13	64D-41111-00-1S	4 - 11	64D-42738-00-5B	13 - 20	64E-43827-00	18 - 22
64E-11111-00-1S	4 - 1		26 - 14	64D-1492E-77	6 - 14	6G5-41112-A1	4 - 12	64D-42738-10-5B	13 - 21	64E-43828-00	17 - 22
67H-11119-01	2 - 30	64E-13624-00-1S	5 - 6	64D-1492E-79	6 - 15		26 - 6	6R3-42741-02-8D	13 - 33	64E-43829-00	17 - 23
6G5-11181-A2	4 - 2	64E-13641-10-1S	5 - 11	64D-1492F-40	6 - 10	6R3-41113-00-1S	4 - 14	6H4-42748-00	13 - 4	64E-43830-00	18 - 4
	26 - 3	64E-13645-A0	5 - 15	61A-1492H-12	6 - 17	6G5-41114-A0	4 - 13	6E5-42761-00-1S	2 - 35	64E-43831-00	18 - 2
6G5-11191-00-1S	4 - 4		26 - 16	6J8-14959-00	6 - 29		26 - 7	6E5-42762-00-1S	2 - 36	64E-4384J-00	17 - 18
6G5-11193-A0	4 - 5	6K7-13646-A2	5 - 10	61U-14959-00	6 - 11	6G5-41131-01-5B	19 - 20	6E5-42769-00	19 - 5	64E-43841-00	18 - 7
	26 - 4		26 - 15		26 - 31	64D-41132-00-5B	19 - 24	6R3-42771-01-8D	13 - 37	64E-43843-00	18 - 6
6R3-1131M-01	2 - 26	6E5-14159-00	6 - 8		26 - 26	6G5-41134-A1	19 - 25	6G5-42791-10	13 - 41	64E-43843-10	18 - 38
6E5-11325-00	2 - 24		26 - 24	6E5-14979-00	6 - 22		27 - 2	6R3-42791-41	19 - 2	64E-43850-00	18 - 15
646-11370-01	2 - 8	6E5-14198-A2	5 - 18		26 - 30	6E5-41135-A0	19 - 32	6R3-42792-41	19 - 3	64E-43851-00	18 - 11
6K7-11371-01-1S	2 - 32		26 - 17	64F-15100-00-1S	2 - 2		27 - 4	64D-42814-00	1 - 6	64E-43855-00	18 - 14
6E5-11372-01	2 - 3		26 - 32	6R3-15163-00-1S	3 - 3	6G5-41137-02-94	19 - 10	64D-42815-00-4D	13 - 5	6E5-43858-00	17 - 28
6F6-11372-00	2 - 5	6E5-14223-00	6 - 24	6G5-15359-00-94	3 - 11	61H-41213-00	14 - 34	64D-42816-00-4D	13 - 6	64E-43858-00	18 - 12
6G5-11372-00-1S	4 - 22	64F-14301-01	6 - 1	6Y2-24305-04	8 - 6	6G5-41217-01	5 - 20	64D-42818-20	13 - 12		18 - 18
688-11372-01	5 - 7	64F-14302-01	6 - 2	6Y2-24306-42	8 - 1	662-41237-01	14 - 27	64D-42818-30	13 - 13	72X-43858-00	18 - 5
624-11379-00	2 - 6	64F-14303-01	6 - 3	6R3-24313-01	7 - 1		14 - 33	64D-42835-00	13 - 7	64E-43859-00	18 - 13
6E5-11381-A2	2 - 33	6E5-14321-00	6 - 19	6G5-24314-00	7 - 15	682-41237-50	14 - 31	64E-43111-02-8D	15 - 1	6H1-4386K-10	18 - 29
	26 - 2	6E5-14323-03	6 - 23	6E5-24315-00	7 - 18	6E5-41256-01	5 - 21	64E-43112-02-8D	15 - 9	64E-43860-00	18 - 20
6G5-11382-A1	4 - 21	6E5-14324-00	6 - 28	6K7-24315-00	7 - 17	661-41262-02	5 - 22	64E-43126-00	15 - 37	6E5-43862-00	17 - 10
	26 - 8	6A0-14325-00	7 - 30	6G5-24316-10	7 - 36	61H-41271-10	5 - 23	64E-43131-01	15 - 15		17 - 14
		6E5-14328-01	6 - 21	6K7-24317-00	7 - 42	689-41273-00	5 - 24	64E-43139-02	16 - 1	6G5-43863-00	18 - 10
6R3-11397-01	2 - 27		26 - 29	6K7-24318-00	7 - 43	688-41611-00	9 - 13	6G5-43144-00	15 - 27	6E5-43864-00	17 - 20
6G5-11411-02	3 - 1	6J8-14334-00	6 - 20	6K7-24319-00	7 - 44	688-41612-00	9 - 14	64D-43144-00	13 - 14	6G5-43864-00	17 - 19
6E5-11447-00	3 - 2	64D-14381-00	6 - 5	6E5-24351-51	8 - 3	6G5-41631-01-1S	14 - 10	6E5-43145-01	22 - 8	6G5-43865-00	18 - 35
663-11518-01	2 - 7	61A-14383-01	6 - 18	6Y2-24360-52	8 - 5	61H-41632-02-1S	14 - 7	6G5-43148-00	15 - 32	64E-43865-00	18 - 16
64D-11603-01	3 - 17	64D-14384-01	6 - 4	6R3-24377-00	7 - 2	6G5-41636-01	14 - 25	6G5-43181-02	15 - 29	64E-43866-00	17 - 9
	3 - 19		26 - 22	6E5-24378-00	7 - 16	6E5-42510-A1-8D	16 - 10	6G5-43185-02	15 - 30	64E-43867-00	17 - 8
64D-11604-01	3 - 19	6E5-14385-02	6 - 6		7 - 39	6E5-42510-B1-8D	16 - 10	64E-43311-10-8D	15 - 22	64E-43868-00	18 - 3
	3 - 19	6E5-14386-02	6 - 9	650-24378-00	4 - 15	64F-42610-50-4D	1 - 1	64E-43311-20-8D	15 - 22	64E-43869-00	17 - 26
			26 - 25	6E5-24410-03	7 - 20	64D-42613-00-4D	1 - 10	61A-43376-00	16 - 8	64E-4387A-00	18 - 23
64D-11631-02-90	3 - 16	64D-14394-00	6 - 12	6E5-24411-00	7 - 25	64D-42615-00	1 - 9	64E-4380F-00	18 - 33	6E5-43872-00	17 - 12
6R5-11633-10	3 - 20		26 - 27	6E5-24412-10	7 - 32	6R3-42647-00	1 - 2	64E-4380J-00	18 - 30	64E-43873-00	18 - 24
6R5-11634-10	3 - 21	647-14395-60	5 - 29	6E5-24413-00	7 - 22	64D-42662-00	1 - 5	64E-43800-02-4D	17 - 1	6E5-43874-01	17 - 21
64D-11635-02	3 - 16	6E5-14398-01	6 - 16	6A0-24421-01	7 - 29	64D-4267A-30	1 - 17	64E-43802-00	18 - 8	64E-43875-00	18 - 25
64D-11636-02	3 - 16		26 - 28	6E5-24423-00	7 - 27	64F-42677-50	1 - 12	64E-43805-00	18 - 37	64E-43879-00	18 - 27
64D-11642-02-90	3 - 18	64D-14440-00	5 - 25	648-24424-00	7 - 26	64D-42678-30	1 - 18	64E-4381G-00	17 - 27	64E-43879-10	18 - 26
64D-11645-02	3 - 18	6K7-14483-00	5 - 27	650-24431-A0	7 - 33	64C-42681-30	1 - 15	64E-43810-00	17 - 6	64E-4388E-00	17 - 25
64D-11646-02	3 - 18		26 - 18			64C-42682-30	1 - 16	6E5-43814-02	17 - 13	64E-4388E-10	18 - 1

NUMERICAL INDEX  
INDICE NUMERICO

PART NO. CODIGO NO.	REF. NO.	PART NO. CODIGO NO.	REF. NO.	PART NO. CODIGO NO.	REF. NO.	PART NO. CODIGO NO.	REF. NO.	PART NO. CODIGO NO.	REF. NO.	PART NO. CODIGO NO.	REF. NO.
64E-4388J-00	17 - 3	6E5-45111-02-8D	19 - 1	6G5-45577-02-10	20 - 69	703-48225-00	24 - 29	6K7-8182G-10	12 - 6	703-82577-00	24 - 45
64E-43880-01	18 - 28	6E5-45111-23-8D	19 - 1	6G5-45577-02-12	20 - 69	703-48226-00	24 - 26	6E5-8182K-10	12 - 18	688-8258A-20	24 - 49
64E-43883-00	17 - 11	6G5-45113-A1	19 - 14	6G5-45577-02-15	20 - 69	703-48227-00	24 - 24	6N7-81820-10	12 - 10	6R5-82582-A0	11 - 18
64E-43891-00	18 - 31		26 - 20	6G5-45577-02-18	20 - 69	703-48232-00	24 - 62	6K7-81822-00-94	12 - 19	6R5-82582-B0	11 - 19
64E-43892-00	18 - 34	6G5-45114-A1	19 - 21	6G5-45577-02-30	20 - 69	703-48234-00	24 - 18	61A-81824-00	12 - 4	6R5-82582-00	10 - 25
6E5-43896-00	18 - 9		27 - 3	6G5-45577-02-40	20 - 69	703-48235-00	24 - 4	6K7-81826-10	12 - 14	6E5-82587-00	11 - 31
64E-43897-00	17 - 24	663-45119-00	15 - 14	6G5-45577-02-50	20 - 69	703-48236-00	24 - 16	6N7-81830-00	12 - 13	6E5-82588-00	11 - 48
64E-43898-00	17 - 7		15 - 25	6E5-45587-01-10	20 - 41	703-48238-00	24 - 22	6N7-81840-00	12 - 7		13 - 30
6E5-44117-00-1S	14 - 38	6E5-45123-00	19 - 31	6E5-45587-01-12	20 - 41	703-48243-00	24 - 15	6N7-81850-10	12 - 2	6K7-82588-00	11 - 15
6E5-44118-01-94	14 - 46		27 - 6	6E5-45587-01-15	20 - 41	703-48244-00	24 - 21	6N7-81857-00	12 - 12	64D-82590-00	11 - 7
6E5-44120-03	14 - 53	64D-45123-00	19 - 38	6E5-45587-01-18	20 - 41	703-48245-00	24 - 11	61A-81941-00	11 - 34	703-82591-00	24 - 53
6E5-44120-23	14 - 53	6E5-45155-00	19 - 4	6E5-45587-01-30	20 - 41	703-48246-00	24 - 23	64D-81942-00	10 - 5	703-82592-00	24 - 54
68F-44121-00	14 - 40	6J9-45214-00	21 - 8	6E5-45587-01-40	20 - 41	701-48248-00	24 - 13	6G5-81948-11	11 - 41	688-82594-00	11 - 10
6E5-44122-00	14 - 41	6J9-45215-00	21 - 9	6E5-45587-01-50	20 - 41	703-48252-00	24 - 12	6E5-8195A-00	11 - 37	703-82594-00	24 - 25
6G5-44150-02	20 - 23	6G5-45251-02	15 - 2	6E5-45611-01	20 - 52	703-48261-01	24 - 2	6E5-81950-00	11 - 36	703-83383-02	24 - 51
688-44194-00	14 - 15	64F-45300-02-8D	20 - 1	6G5-45631-10	20 - 60	703-48264-00	24 - 6	689-81952-10	11 - 35	6Y5-83514-00	25 - 6
	14 - 30	64F-45300-22-8D	20 - 1	6E5-45633-01	20 - 61	703-48265-00	24 - 9	6R3-81960-10	10 - 1	6Y5-83517-00	25 - 3
61A-44311-01	20 - 26	6J9-45301-05-8D	20 - 2	6E5-45634-01	20 - 54	703-48268-00	24 - 5	6R3-82105-02	11 - 46	6Y5-83518-00	25 - 10
6E5-44312-00	20 - 31	6E5-45318-00	19 - 35	6E5-45641-02	20 - 53	703-48271-00	24 - 60	6E5-82116-00	11 - 40	6Y5-83523-00	25 - 5
6E5-44315-A0	20 - 35	6E5-45321-00	20 - 19	6G5-45930-00-98	21 - 22	703-48281-00	24 - 31	6K7-82117-00	11 - 47	6Y5-83536-00	25 - 11
	27 - 13	6E5-45331-00-94	20 - 38	6G5-45932-00-98	21 - 22	703-48282-00	24 - 32	6Y5-82117-00	25 - 16	6Y5-83536-10	25 - 4
	27 - 24	6J9-45332-00-94	20 - 62	6G5-45941-00-98	21 - 22	703-48284-00	24 - 52	6G5-82119-00	11 - 39	6Y5-83540-14	25 - 2
6R3-44322-42	27 - 29	688-45341-10	20 - 7	6G5-45943-01-98	21 - 22	701-48287-00	24 - 42	6E5-82147-00	15 - 26	6Y5-83544-00	25 - 12
61A-44322-02	20 - 27	6E5-45344-00	20 - 44	6G5-45945-01-98	21 - 22	703-48291-10	24 - 39	6E5-82147-20	15 - 26	6Y5-83553-00	25 - 14
	27 - 19	6J9-45371-01	21 - 12	6G5-45947-01-98	21 - 22	703-48293-10	24 - 41	6E5-82148-00	15 - 6	6E9-83557-70	11 - 44
6G5-44323-00	20 - 34	64D-45375-00	19 - 39	6G5-45949-00-98	21 - 22	701-48320-80	23 - 2		15 - 10	6E5-83558-00	21 - 15
	27 - 23	688-45375-00	20 - 15	6G5-45952-00-98	21 - 22	6E5-48344-00	14 - 8	6E5-82149-00	16 - 19	6E5-83558-10	20 - 18
6G5-44323-40	27 - 30	64D-45376-00-94	20 - 14	6G5-45970-02-98	21 - 22		14 - 44	6R3-82150-00	10 - 2	6R3-83614-00	11 - 32
6E5-44352-01	20 - 32	663-45376-00-94	20 - 14	6G5-45972-02-98	21 - 22	703-48345-01	24 - 19	1E6-82151-00	25 - 15	688-83664-00	25 - 13
	27 - 22	6E5-45378-00	20 - 16	6G5-45974-03-98	21 - 22	703-48358-00	24 - 20	663-82151-00	11 - 8	6Y5-83670-12	25 - 9
6E5-44361-00	21 - 2	6G5-45383-01	20 - 72	6G5-45976-01-98	21 - 22	64D-48531-00	14 - 1	705-82151-00	10 - 3	64E-83672-02	16 - 3
6E5-44361-20	21 - 2	6G5-45384-00	20 - 73	6G5-45978-03-98	21 - 22	64D-48532-00	14 - 2		11 - 9	72X-85075-L0	18 - 21
6E5-44365-00	20 - 30	6G5-45501-01	20 - 47	6E5-45987-01	21 - 17	6E5-48538-00	14 - 3	6G5-82152-00	10 - 4	6R3-85510-00	9 - 2
	21 - 3	6G5-45501-21	20 - 47	688-45997-01	21 - 18	6E5-61350-02	22 - 1		11 - 54	663-85518-00	14 - 11
	27 - 7	61A-45527-00	20 - 11	703-48152-00	24 - 57	6E5-61351-01	22 - 2	663-82317-01	9 - 21	64D-85537-00	10 - 23
6E5-44366-00	21 - 1	6G5-45536-01	20 - 13	703-48153-00	24 - 3	6E5-61355-00	22 - 5	6E3-82370-21	11 - 2	64E-85540-01	10 - 15
	27 - 8	61A-45538-00	20 - 12	703-48189-00	24 - 17	6E5-81332-00	9 - 16	703-82510-43	24 - 44	6R3-85542-03-1S	10 - 19
6E5-44391-00	13 - 18	61H-45551-00	20 - 48	703-48198-00	24 - 14	64D-81337-01	9 - 19	6R3-82519-00	10 - 28	64D-85550-02	9 - 1
6E5-44511-00-5B	16 - 38	61H-45560-00	20 - 50	703-48205-17	23 - 1	6K7-81338-01	5 - 13	662-82519-00	10 - 27	6R3-85570-01	11 - 1
6G5-44514-00-94	16 - 31	6G5-45567-01-10	20 - 5		24 - 1	6N7-81800-10	12 - 1	6E5-82531-10	11 - 6	64D-85580-00	9 - 3
6G5-44526-00	15 - 3	6G5-45567-01-12	20 - 5	703-48211-01	24 - 61	6N7-81801-00	12 - 8	703-82531-00	24 - 46	61A-85790-00	11 - 21
68F-44533-00	2 - 37	6G5-45567-01-15	20 - 5	703-48212-00	24 - 58	6N7-81807-00	12 - 11	703-82540-00	24 - 50	6R5-85895-01	9 - 5
6G5-44551-01-8D	16 - 13	6G5-45567-01-18	20 - 5	703-48213-00	24 - 59	61A-81809-00	12 - 3	6R3-82553-70	25 - 17	64E-86110-00	11 - 26
6E5-44552-01-94	16 - 24	6G5-45567-01-30	20 - 5	703-48215-00	24 - 43	6N7-81810-00	12 - 5	682-82556-00	24 - 48	6G5-87149-10	11 - 38
6E5-44553-01-8D	16 - 27	6G5-45567-01-40	20 - 5	703-48219-00	24 - 30	6N7-81813-00	12 - 9	688-82560-10	11 - 20	90101-08M14	14 - 17
6G5-44555-00-94	16 - 16	6G5-45567-01-50	20 - 5	703-48221-00	24 - 56	6E5-8182A-10	12 - 17	6R3-82563-00	11 - 30	90101-12M03	15 - 40
6E5-44575-00	16 - 15	61H-45571-01	20 - 64	703-48222-00	24 - 27	6E5-8182E-10	12 - 15	703-82563-02	24 - 55	90105-10M00	21 - 13
663-44575-00	16 - 37	6G5-45576-10	20 - 65	703-48223-00	24 - 28	6E5-8182F-10	12 - 16	688-82575-01	24 - 47	90105-10M20	2 - 13





NUMERICAL INDEX  
INDICE NUMERICO

PART NO. CODIGO NO.	REF. NO.	PART NO. CODIGO NO.	REF. NO.	PART NO. CODIGO NO.	REF. NO.	PART NO. CODIGO NO.	REF. NO.	PART NO. CODIGO NO.	REF. NO.
95380-05600	14 - 26	97095-08020	15 - 16						
	14 - 32	97095-08025	20 - 45						
	24 - 7	97095-08030	19 - 22						
	25 - 7	97095-08045	19 - 16						
95380-06600	1 - 4		19 - 26						
	24 - 40		19 - 33						
95380-08600	7 - 12	97095-10045	16 - 25						
95380-08700	19 - 18		16 - 39						
95380-12600	15 - 43	97380-05025	24 - 8						
95380-14800	16 - 22	97380-08030	24 - 33						
95780-10300	16 - 9	97607-04310	18 - 32						
97013-06014	7 - 10	97780-60525	16 - 2						
97013-06016	2 - 28	97880-05016	5 - 4						
97013-06050	5 - 16	97880-06012	15 - 11						
97013-06055	10 - 7	97880-06018	9 - 15						
97013-06070	9 - 11	97880-06020	10 - 16						
97013-08030	14 - 47	97885-05012	9 - 6						
97075-08035	13 - 27	97885-06010	9 - 17						
97075-10045	21 - 5	97885-06016	16 - 4						
97080-08016	17 - 31		16 - 29						
97090-06012	13 - 15	97980-05108	6 - 27						
97095-06010	15 - 7	97980-05116	6 - 25						
	15 - 28	98580-03015	24 - 38						
	19 - 6	98580-04006	24 - 36						
97095-06012	1 - 7	98580-04010	24 - 35						
	10 - 9	98580-05010	24 - 37						
	10 - 13	98780-04015	2 - 25						
	10 - 29	99001-08600	20 - 24						
	11 - 13								
	11 - 24								
	11 - 33								
	11 - 52								
	12 - 27								
97095-06016	11 - 27								
	11 - 42								
	13 - 22								
97095-06020	11 - 3								
	11 - 16								
	11 - 49								
	13 - 31								
	13 - 34								
	13 - 38								
97095-06025	14 - 37								
97095-06030	15 - 4								
97095-06040	13 - 8								
97095-06050	7 - 34								
97095-08016	12 - 24								
97095-08020	14 - 5								

225DET  
PARTS CATALOGUE  
©2002 by Yamaha Motor Co., Ltd.  
1st Edition, Aug. 2002  
All rights reserved.  
Any reprinting or unauthorized use  
without the written permission of  
Yamaha Motor Co., Ltd.  
is expressly prohibited.

225DET  
CATALOGO DE REPUESTOS  
©2002, Yamaha Motor Co., Ltd.  
1ª edición, Ag. 2002  
Reservados todos los derechos.  
Se prohíbe expresamente toda reimpresión  
o utilización no autorizada de este manual  
sin el consentimiento por escrito de  
Yamaha Motor Co., Ltd.